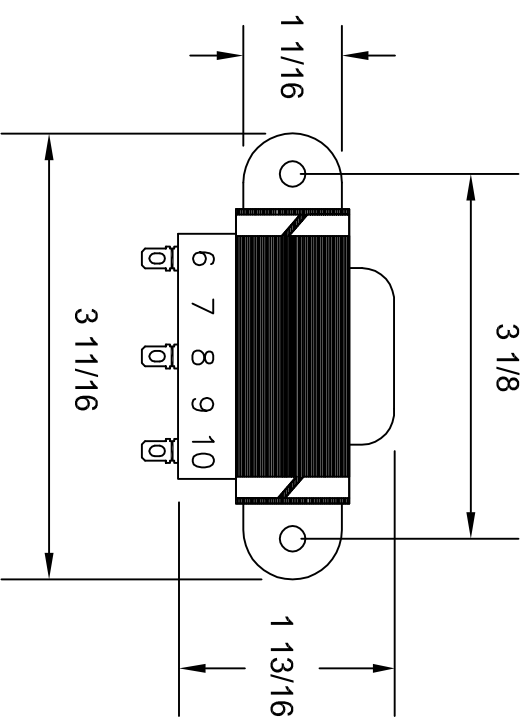
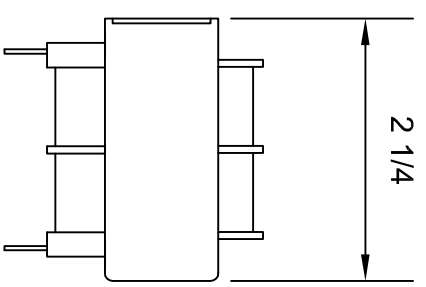
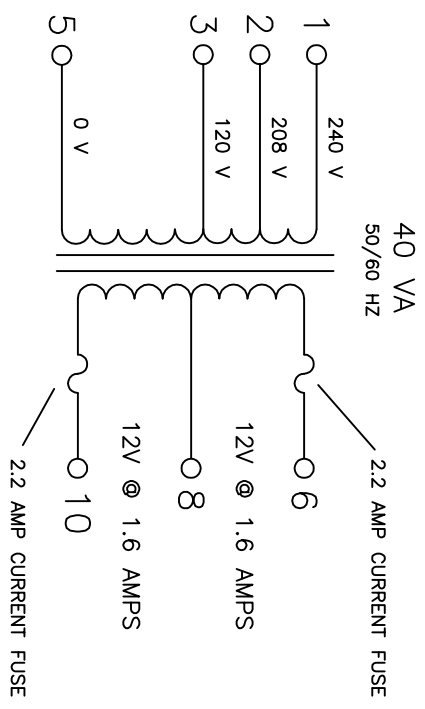
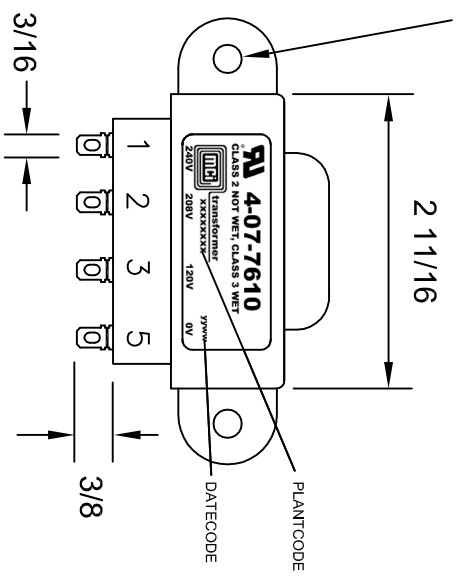


REVISIONS			
LETTER	DESCRIPTION	DWG BY	DATE
A	UPDATED LABEL	JOW3	8-7-17



0.187 DIA. TYP



NOTES:

- 1) UL INSULATION SYSTEM E86543-CLASS F 155°C.
- 2) UL CLASS 2 RECOGNIZED COMPONENT CERTIFIED TO UL 5085-1, UL 5085-3; FILE # E120827
- 3) INHERENTLY LIMITED.
- 4) 2500 VRMS HIPOT BETWEEN PRIMARY AND (SECONDARY + CORE). 500 VOLTS BETWEEN SECONDARY AND CORE.
- 5) WEIGHT: 1.7 LBS.
- 6) ROHS AND REACH COMPLIANT
- 7) ALL DIMENSIONS ARE IN INCHES.

CUSTOMER		MCI		NORTH BABYLON N.Y.	
TITLE					
CLASS 2 QUICK CONNECT POWER TRANSFORMER					
DRAWN BY	APPROV BY	SCALE	DATE	DRAWING NUMBER	
SMS	JOW	NONE	3-13-17	4-07-7610	