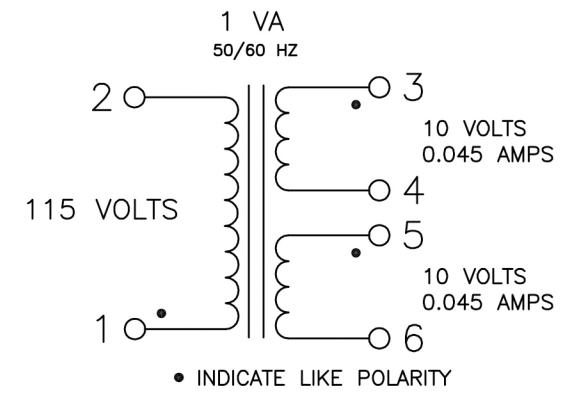
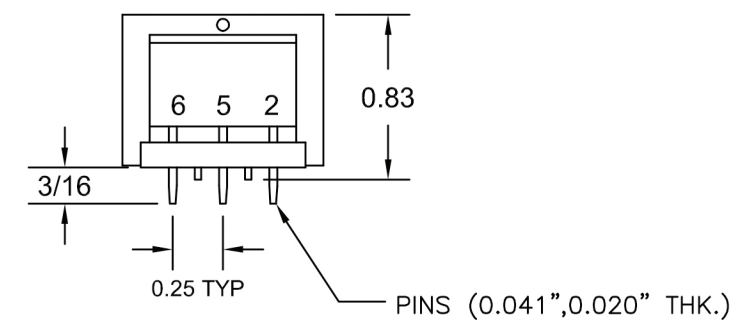
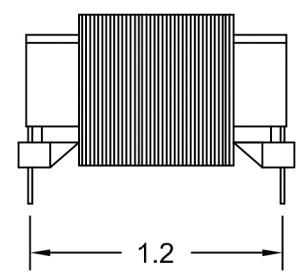
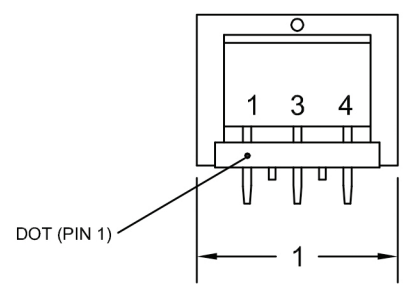
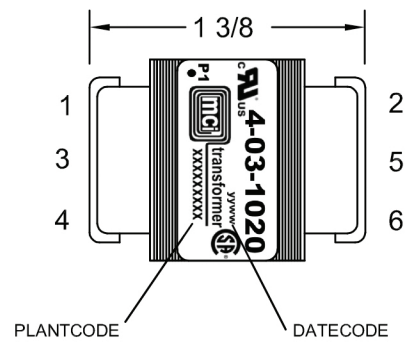


REVISIONS

| LETTER | DESCRIPTION | DWG BY | DATE |
|--------|---------------------------------------|--------|----------|
| A | UPDATED NOTES AND DRAWING | SMS | 10-1-14 |
| B | REDRAWN, UPDATED NOTES AND DIMENSIONS | JOW3 | 10-17-16 |
| C | UPDATED NOTES | JOW3 | 2-3-17 |
| D | UPDATED LABEL | JOW3 | 6-16-17 |



NOTES:

- 1) UL RECOGNIZED COMPONENT: FILE # E86403
- 2) CSA CERTIFIED COMPONENT: FILE # LR80864
- 3) 1500 VRMS HIPOT BETWEEN PRIMARY AND (SECONDARY + CORE).
500 VOLTS BETWEEN SECONDARY AND CORE.
- 4) WEIGHT: 2.5 OZ.
- 5) RoHS AND REACH COMPLIANT
- 6) ALL DIMENSIONS ARE IN INCHES.

| | | | | | |
|-------------------------|-----------|-------|---------|----------------|-----------------------------------|
| MCI | | | | | <small>NORTH BABYLON N.Y.</small> |
| CUSTOMER | | MCI | | | |
| TITLE | | | | | DRAWING NUMBER |
| VERTICAL PC TRANSFORMER | | | | | 4-03-1020 |
| DRAWN BY | APPRVD BY | SCALE | DATE | DRAWING NUMBER | |
| SMS | JOW | NONE | 5-21-14 | 4-03-1020 | |