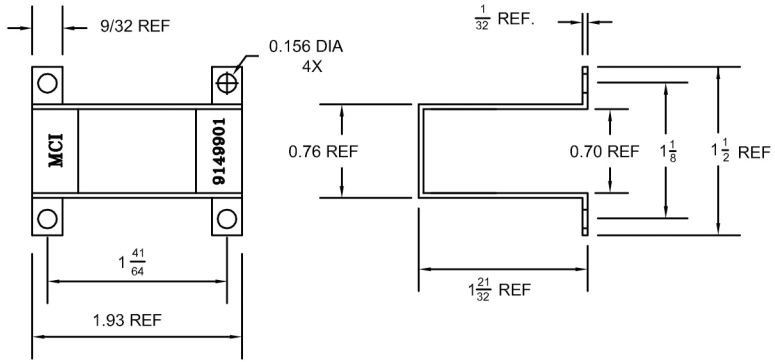
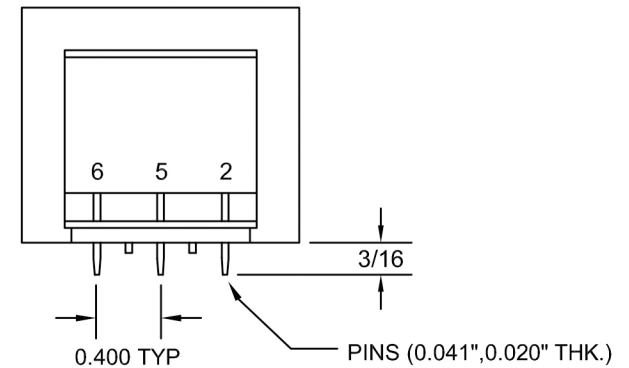
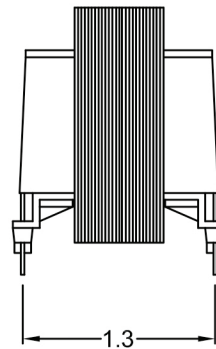
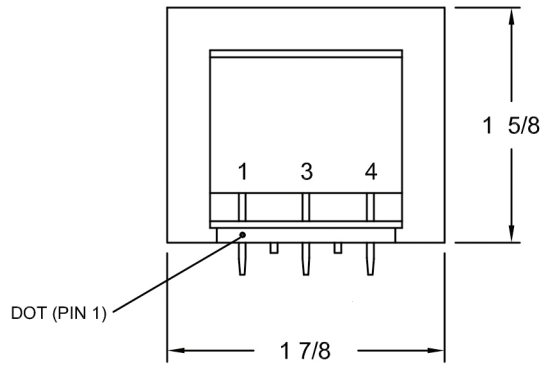
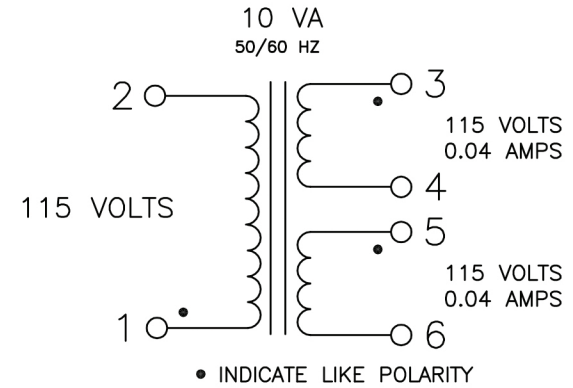
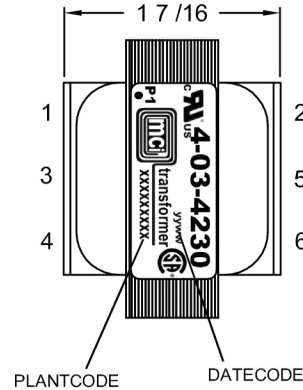


REVISIONS

| LETTER | DESCRIPTION | DWG BY | DATE |
|--------|--------------------------------------|--------|---------|
| A | REDRAWN UPDATED NOTES AND DIMENSIONS | JOW3 | 11-2-16 |
| B | UPDATED NOTES | JOW3 | 2-3-17 |
| C | UPDATED LABEL | JOW3 | 6-20-17 |



OPTIONAL MOUNTING BRACKET: PART #9-14-9901



NOTES:

- 1) UL RECOGNIZED COMPONENT: FILE # E86403
- 2) CSA CERTIFIED COMPONENT: FILE # LR80864
- 3) 1500 VRMS HIPOT BETWEEN PRIMARY AND (SECONDARY + CORE).
500 VOLTS BETWEEN SECONDARY AND CORE.
- 4) WEIGHT: 0.56 LBS
- 5) RoHS AND REACH COMPLIANT
- 6) ALL DIMENSIONS ARE IN INCHES.

| | | | | |
|----------------------------------|------------------|---------------|------------------|-----------------------------------|
| MCI | | | | <small>NORTH BABYLON N.Y.</small> |
| CUSTOMER MCI | | | | |
| TITLE VERTICAL PC TRANSFORMER | | | | |
| DRAWN BY SMS | APPRVD BY JOW | SCALE NONE | DATE 10-10-14 | DRAWING NUMBER 4-03-4230 |