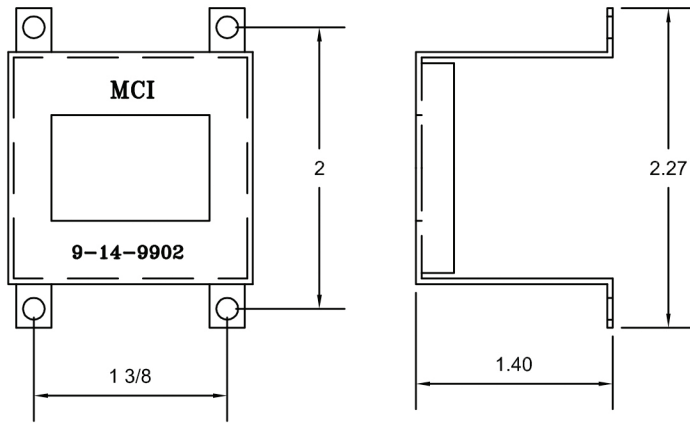
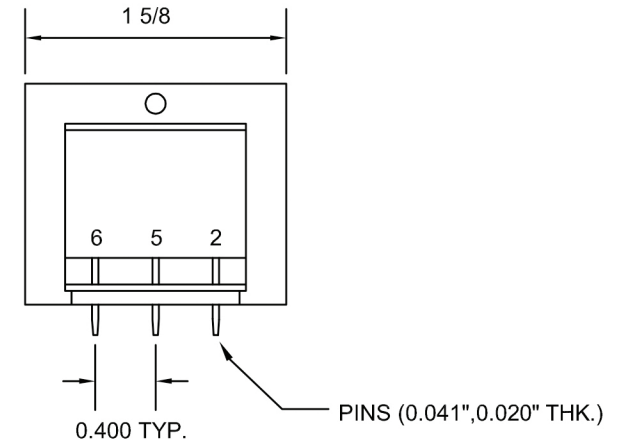
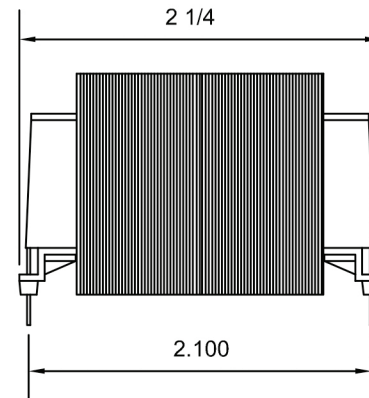
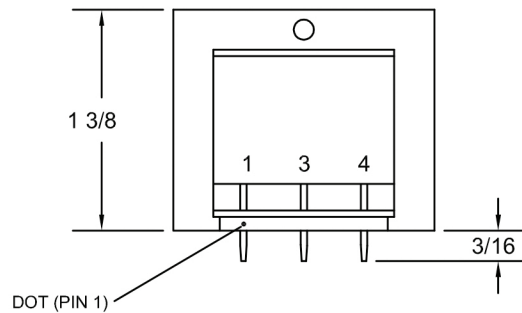
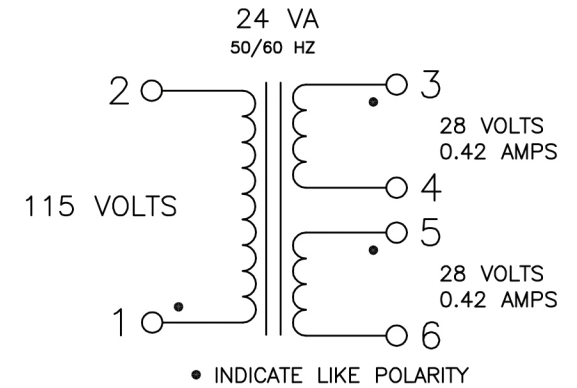
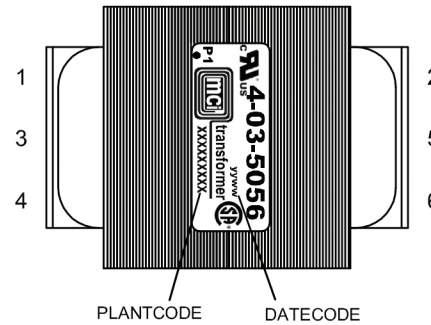


# REVISIONS

| LETTER | DESCRIPTION               | DWG BY | DATE    |
|--------|---------------------------|--------|---------|
| A      | REDRAWN AND UPDATED NOTES | JOW3   | 11-3-16 |
| B      | UPDATED NOTES             | JOW3   | 2-3-17  |
| C      | UPDATED LABEL             | JOW3   | 6-20-17 |



OPTIONAL MOUNTING BRACKET: PART #9-14-9902



## NOTES:

- 1) UL RECOGNIZED COMPONENT: FILE # E86403
- 2) CSA CERTIFIED COMPONENT: FILE # LR80864
- 3) 1500 VRMS HIPOT BETWEEN PRIMARY AND (SECONDARY + CORE).  
500 VOLTS BETWEEN SECONDARY AND CORE.
- 4) WEIGHT: 0.75 LBS
- 5) RoHS AND REACH COMPLIANT
- 6) ALL DIMENSIONS ARE IN INCHES.

|            |           |                         |          |                |                                   |
|------------|-----------|-------------------------|----------|----------------|-----------------------------------|
| <b>MCI</b> |           |                         |          |                | <small>NORTH BABYLON N.Y.</small> |
| CUSTOMER   |           | MCI                     |          |                |                                   |
| TITLE      |           | VERTICAL PC TRANSFORMER |          |                |                                   |
| DRAWN BY   | APPRVD BY | SCALE                   | DATE     | DRAWING NUMBER |                                   |
| SMS        | JOW       | NONE                    | 10-15-14 | 4-03-5056      |                                   |