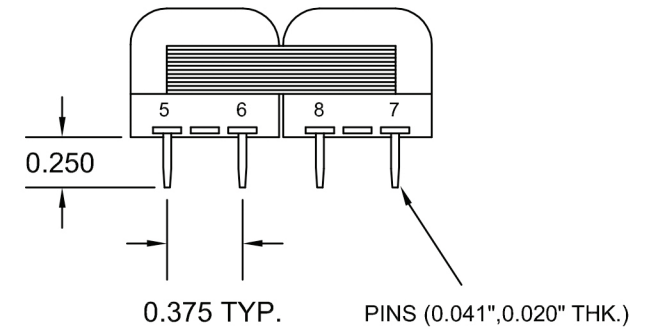
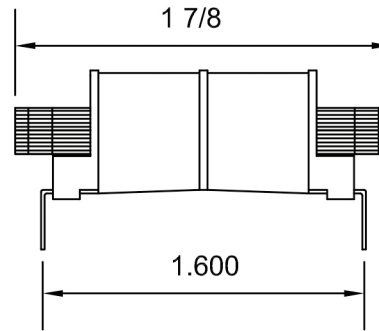
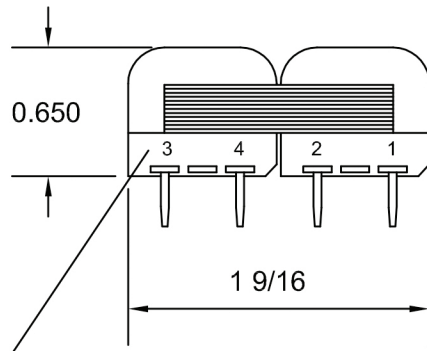
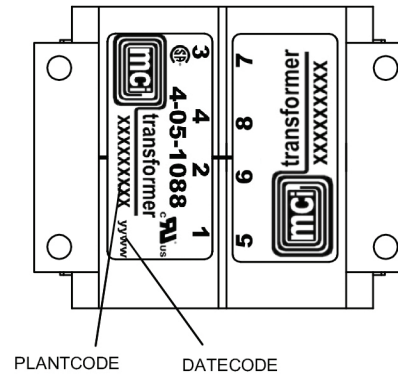
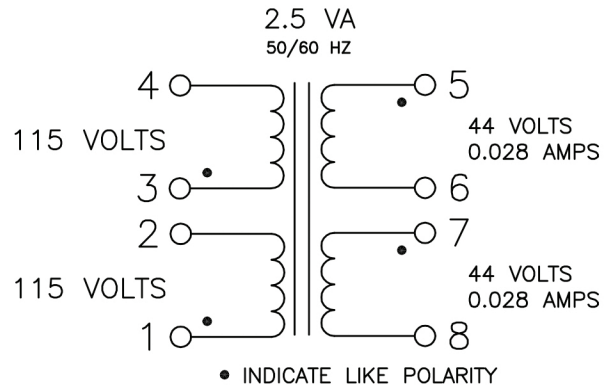


REVISIONS

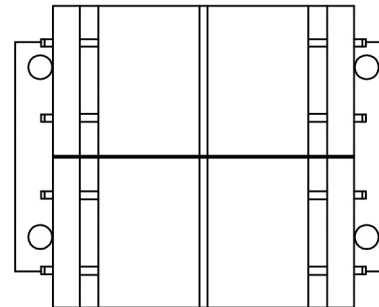
| LETTER | DESCRIPTION | DWG BY | DATE |
|--------|---------------------------|--------|----------|
| A | REDRAWN AND UPDATED NOTES | JOW3 | 11-14-16 |
| B | UPDATED NOTES | JOW3 | 2-6-17 |
| C | UPDATED LABEL | JOW3 | 6-27-17 |



PIN NUMBERS ARE FOR REFERENCE ONLY

NOTES:

- 1) UL INSULATION SYSTEM CLASS F (155°C): FILE # E86543
- 2) UL RECOGNIZED COMPONENT: FILE # E86403
- 3) CSA CERTIFIED COMPONENT: FILE # LR80864
- 4) 1500 VRMS HIPOT BETWEEN PRIMARY AND (SECONDARY + CORE).
500 VOLTS BETWEEN SECONDARY AND CORE.
- 5) WEIGHT: 5 OZ
- 6) RoHS AND REACH COMPLIANT
- 7) ALL DIMENSIONS ARE IN INCHES.



| | | | | |
|----------------------------|-----------|-------|----------|-----------------------------------|
| MCI | | | | <small>NORTH BABYLON N.Y.</small> |
| CUSTOMER | | MCI | | |
| TITLE | | | | |
| LOW PROFILE PC TRANSFORMER | | | | |
| DRAWN BY | APPRVD BY | SCALE | DATE | DRAWING NUMBER |
| SMS | JOW | NONE | 10-16-14 | 4-05-1088 |