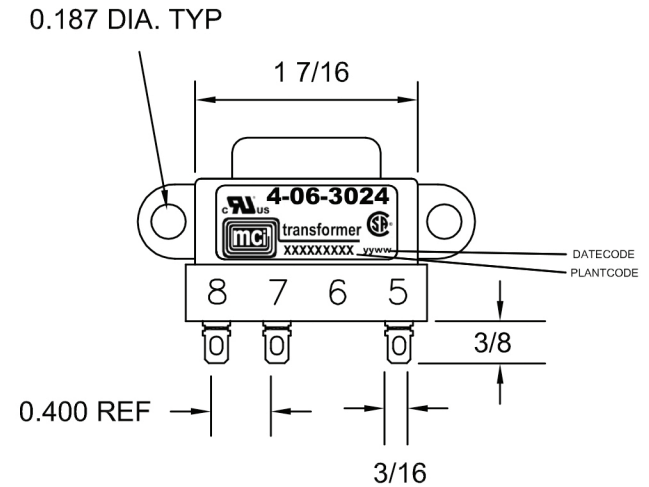
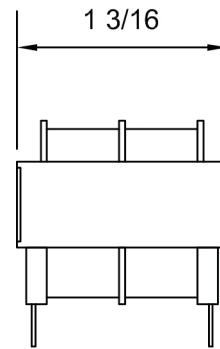
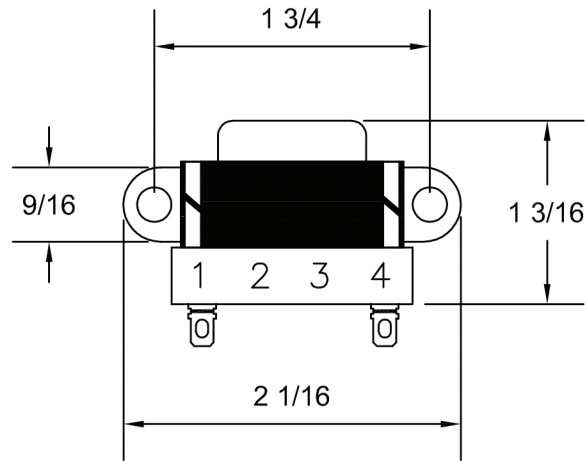


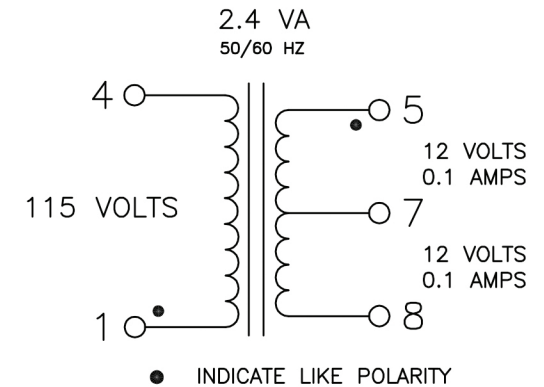
REVISIONS

| LETTER | DESCRIPTION | DWG BY | DATE |
|--------|---------------------------|--------|----------|
| A | REDRAWN AND UPDATED NOTES | JOW3 | 11-15-16 |
| B | UPDATED NOTES | JOW3 | 2-6-17 |
| C | UPDATED LABEL | JOW3 | 5-26-17 |



NOTES:

- 1) UL INSULATION SYSTEM E86543-CLASS F 155°C.
- 2) UL RECOGNIZED COMPONENT: FILE # E86403
- 3) CSA CERTIFIED COMPONENT: FILE # LR80864
- 4) 2500 VRMS HIPOT BETWEEN PRIMARY AND (SECONDARY + CORE).
500 VOLTS BETWEEN SECONDARY AND CORE.
- 5) WEIGHT: 0.25 LBS.
- 6) RoHS AND REACH COMPLIANT
- 7) ALL DIMENSIONS ARE IN INCHES.



| | | | | |
|--|------------------|---------------|------------------|-----------------------------------|
| MCI | | | | <small>NORTH BABYLON N.Y.</small> |
| CUSTOMER MCI | | | | |
| TITLE QUICK CONNECT POWER TRANSFORMER | | | | |
| DRAWN BY SMS | APPRVD BY JOW | SCALE NONE | DATE 10-20-14 | DRAWING NUMBER 4-06-3024 |