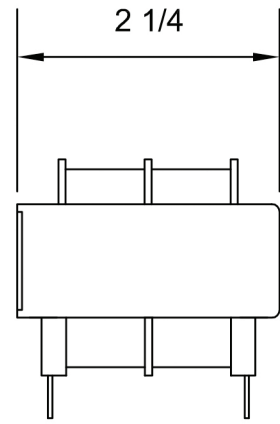
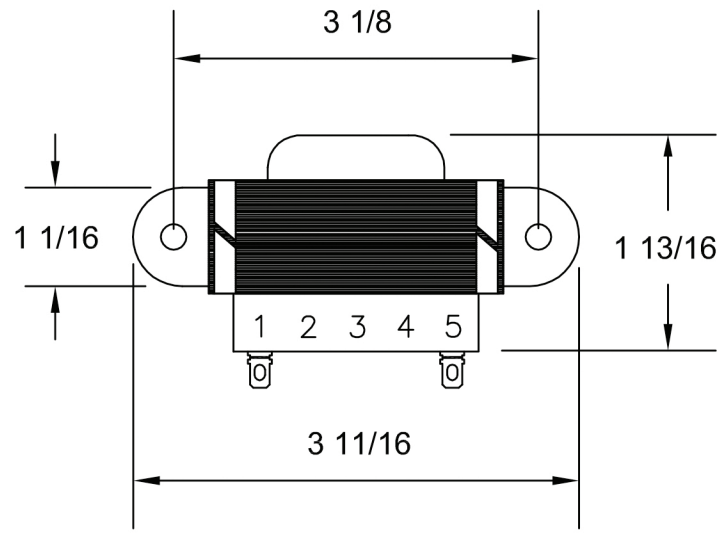
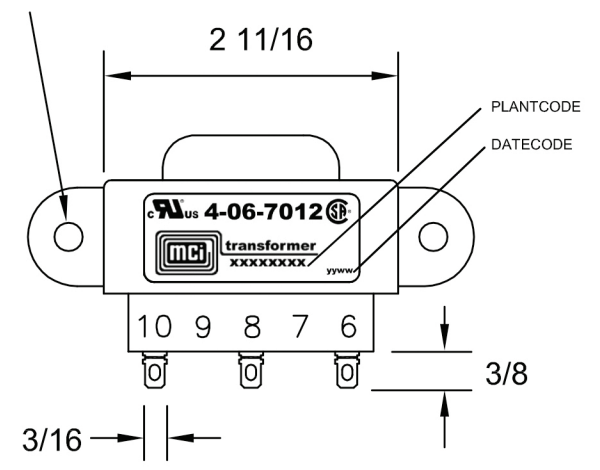


REVISIONS

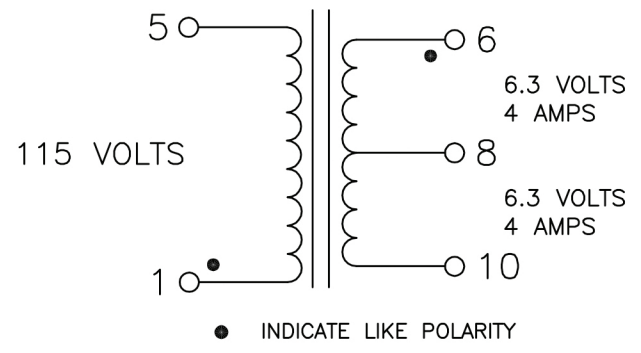
| LETTER | DESCRIPTION | DWG BY | DATE |
|--------|---------------------------|--------|----------|
| A | REDRAWN AND UPDATED NOTES | JOW3 | 11-16-16 |
| B | UPDATED NOTES | JOW3 | 2-7-17 |
| C | UPDATED LABEL | JOW3 | 5-30-17 |



0.187 DIA. TYP



56 VA
50/60 HZ



NOTES:

- 1) UL INSULATION SYSTEM E86543-CLASS F 155°C.
- 2) UL RECOGNIZED COMPONENT: FILE # E86403
- 3) CSA CERTIFIED COMPONENT: FILE # LR80864
- 4) 2500 VRMS HIPOT BETWEEN PRIMARY AND (SECONDARY + CORE).
500 VOLTS BETWEEN SECONDARY AND CORE.
- 5) WEIGHT: 1.7 LBS.
- 6) RoHS AND REACH COMPLIANT
- 7) ALL DIMENSIONS ARE IN INCHES.

| | | | |
|--|-----------|---------------------------|-----------|
| MCI | | <i>NORTH BABYLON N.Y.</i> | |
| CUSTOMER | | MCI | |
| TITLE | | | |
| QUICK CONNECT POWER TRANSFORMER | | | |
| DRAWN BY | APPRVD BY | SCALE | DATE |
| SMS | JOW | NONE | 10-24-14 |
| DRAWING NUMBER | | | 4-06-7012 |