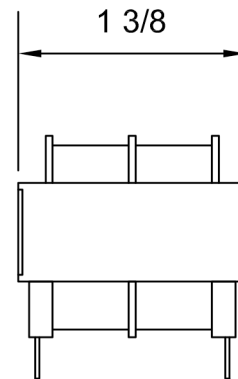
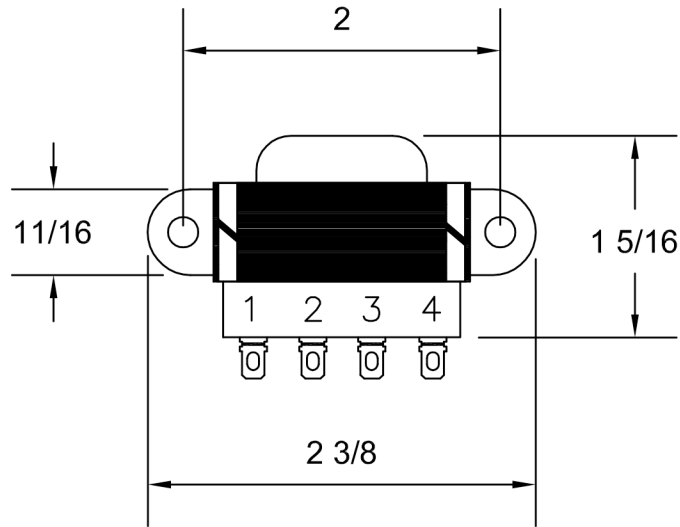
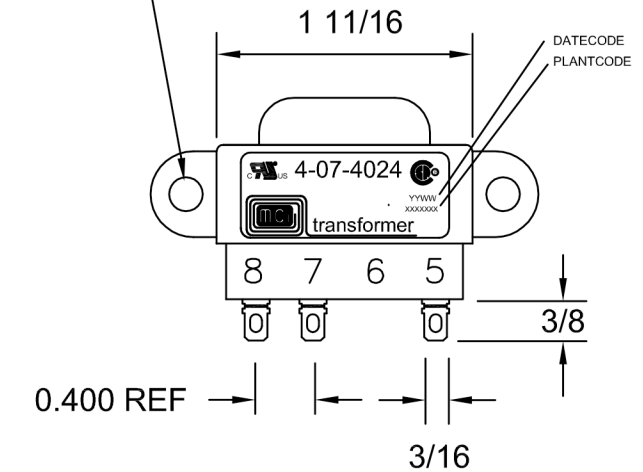


# REVISIONS

LETTER	DESCRIPTION	DWG BY	DATE
A	UPDATED DRAWING AND NOTES	SMS	10-20-14
B	REDRAWN AND UPDATED NOTES	JOW3	11-17-16

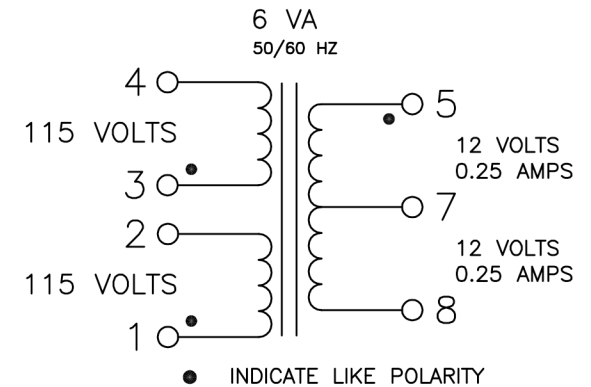


0.187 DIA. TYP



## NOTES:

- 1) UL INSULATION SYSTEM E86543-CLASS F 155°C.
- 2) UL RECOGNIZED COMPONENT: FILE # E86403
- 3) CSA APPROVED COMPONENT: FILE # LR80864
- 4) 2500 VRMS HIPOT BETWEEN PRIMARY AND (SECONDARY + CORE).  
500 VOLTS BETWEEN SECONDARY AND CORE.
- 5) WEIGHT: 0.44 LBS.
- 6) RoHS AND REACH COMPLIANT
- 7) ALL DIMENSIONS ARE IN INCHES.



<b>MCI</b>				
<i>NORTH BABYLON N.Y.</i>				
CUSTOMER MCI				
TITLE QUICK CONNECT POWER TRANSFORMER				
DRAWN BY SMS	APPRVD BY JOW	SCALE NONE	DATE 8-17-01	DRAWING NUMBER 4-07-4024