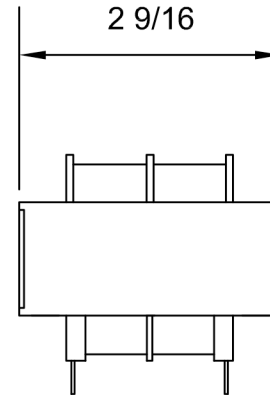
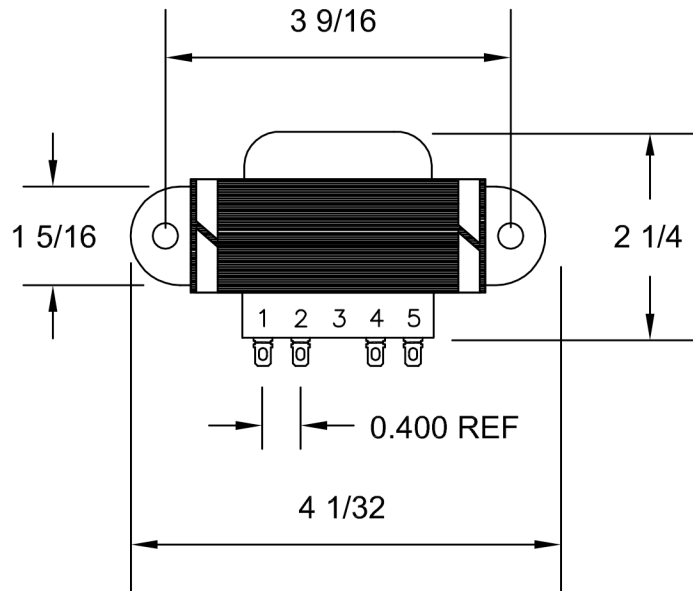
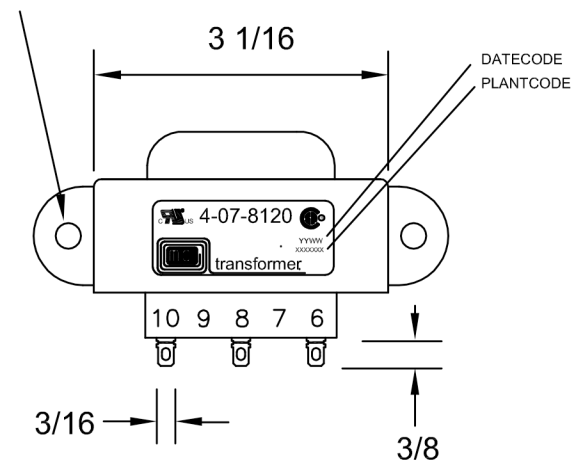


REVISIONS

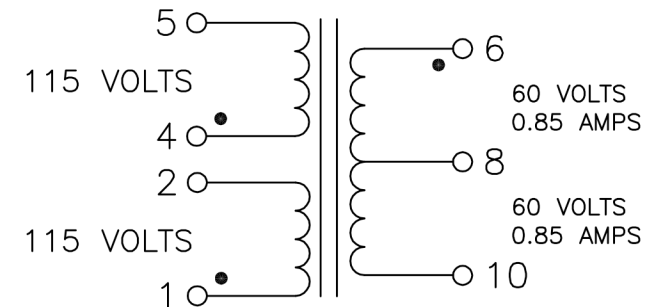
| LETTER | DESCRIPTION | DWG BY | DATE |
|--------|---------------------------|--------|----------|
| A | REDRAWN AND UPDATED NOTES | JOW3 | 11-18-16 |



0.187 DIA. TYP



100 VA
50/60 HZ



● INDICATE LIKE POLARITY

NOTES:

- 1) UL INSULATION SYSTEM E86543-CLASS F 155°C.
- 2) UL RECOGNIZED COMPONENT: FILE # E86403
- 3) CSA APPROVED COMPONENT: FILE # LR80864
- 4) 2500 VRMS HIPOT BETWEEN PRIMARY AND (SECONDARY + CORE).
500 VOLTS BETWEEN SECONDARY AND CORE.
- 5) WEIGHT: 2.75 LBS.
- 6) RoHS AND REACH COMPLIANT
- 7) ALL DIMENSIONS ARE IN INCHES.

| | | | | |
|--|-----------|-------|----------|---------------------------|
| MCI | | | | <i>NORTH BABYLON N.Y.</i> |
| CUSTOMER | | MCI | | |
| TITLE | | | | |
| QUICK CONNECT POWER TRANSFORMER | | | | |
| DRAWN BY | APPRVD BY | SCALE | DATE | DRAWING NUMBER |
| SMS | JOW | NONE | 10-24-14 | 4-07-8120 |