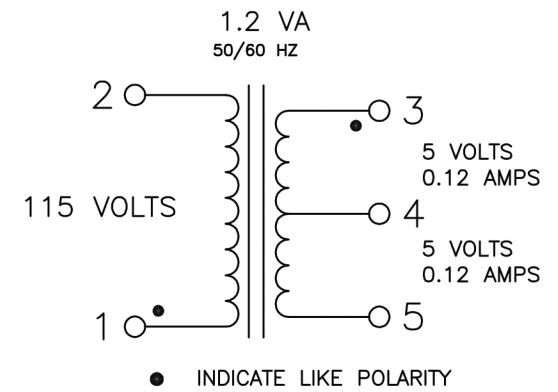
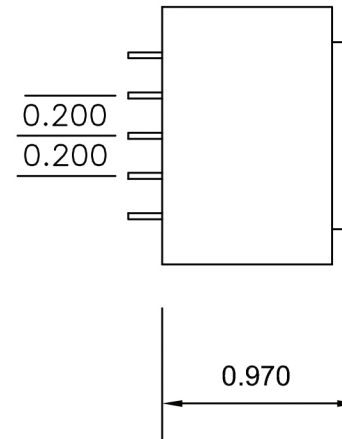
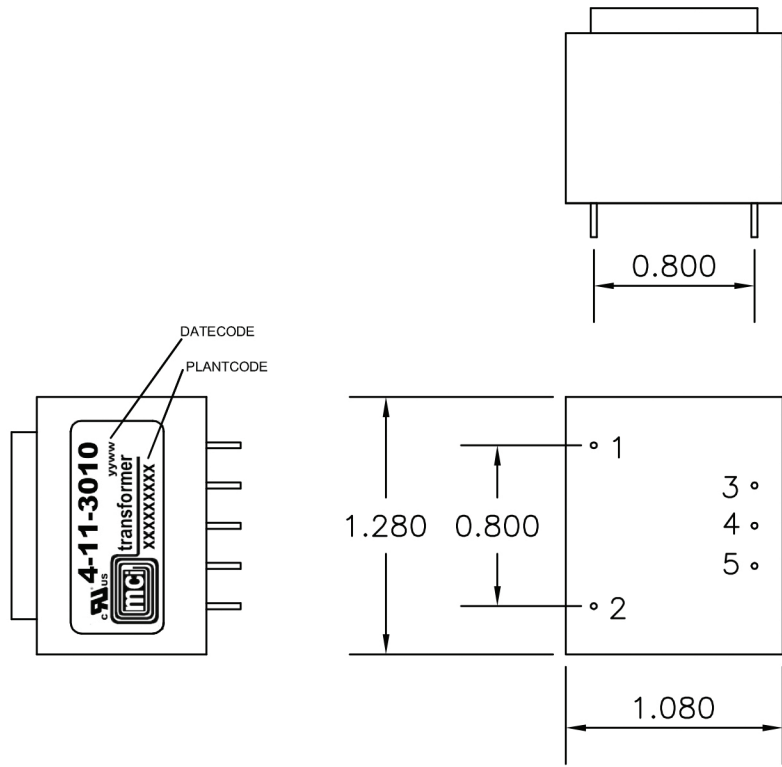


REVISIONS

LETTER	DESCRIPTION	DWG BY	DATE
A	UPDATED NOTES AND DRAWING	SMS	11-10-14
B	REDRAWN AND UPDATED NOTES	JOW3	11-18-16



NOTES:

- 1) UL RECOGNIZED COMPONENT: FILE # E86403
- 2) 3750 VRMS HIPOT BETWEEN PRIMARY AND SECONDARY.
- 3) WEIGHT: 0.19 LBS.
- 4) RoHS AND REACH COMPLIANT
- 5) ALL DIMENSIONS ARE IN INCHES.

MCI					<small>NORTH BABYLON N.Y.</small>
CUSTOMER					
MCI					
TITLE					
HORIZONTAL PC TRANSFORMER					
DRAWN BY	APPRVD BY	SCALE	DATE	DRAWING NUMBER	
SMS	JOW	NONE	11-12-12	4-11-3010	