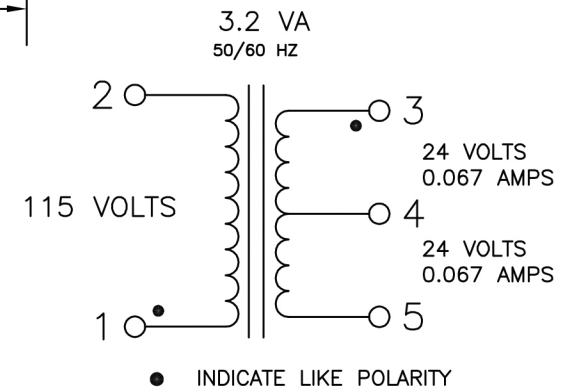
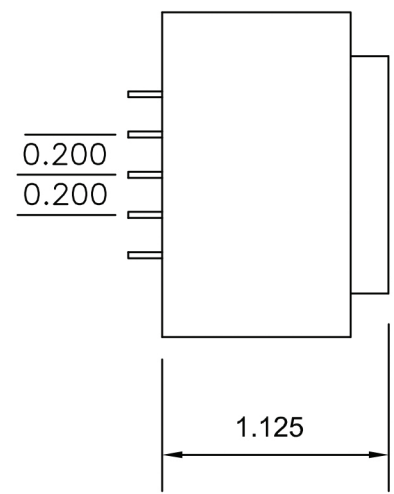
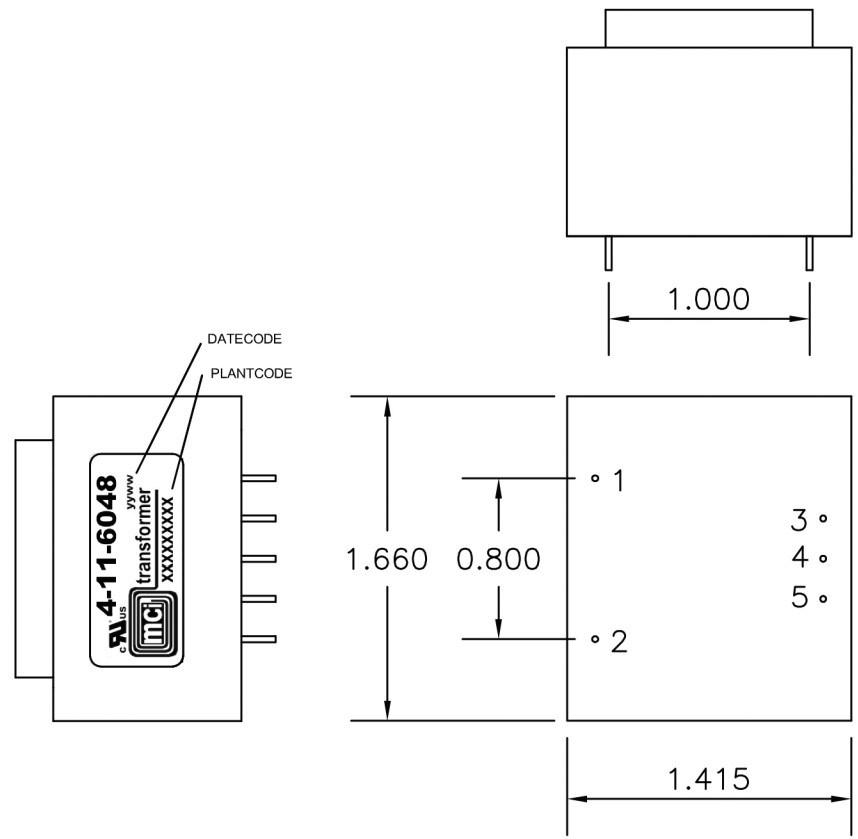


REVISIONS

| LETTER | DESCRIPTION | DWG BY | DATE |
|--------|-------------|--------|------|
| | | | |



NOTES:

- 1) UL RECOGNIZED COMPONENT: FILE # E86403
- 2) 3750 VRMS HIPOT BETWEEN PRIMARY AND SECONDARY.
- 3) WEIGHT: 0.33 LBS.
- 4) RoHS AND REACH COMPLIANT
- 5) ALL DIMENSIONS ARE IN INCHES.

| | | | | |
|---------------------------|-----------|-------|----------|---------------------------|
| MCI | | | | NORTH BABYLON N.Y. |
| CUSTOMER | | MCI | | |
| TITLE | | | | |
| HORIZONTAL PC TRANSFORMER | | | | |
| DRAWN BY | APPRVD BY | SCALE | DATE | DRAWING NUMBER |
| JOW3 | JOW | NONE | 11-23-16 | 4-11-6048 |