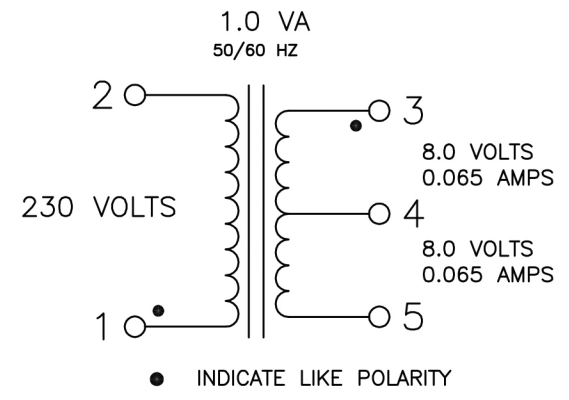
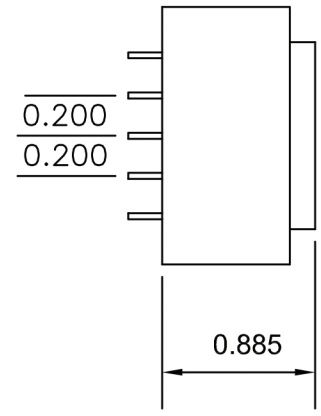
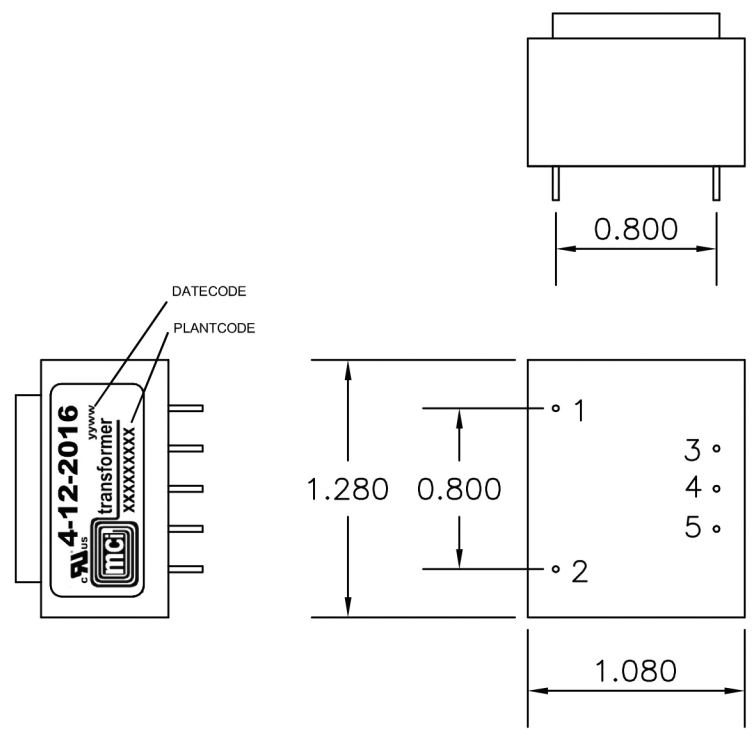


REVISIONS

| LETTER | DESCRIPTION | DWG BY | DATE |
|--------|-------------|--------|------|
| | | | |



NOTES:

- 1) UL RECOGNIZED COMPONENT: FILE # E86403
- 2) 3750 VRMS HIPOT BETWEEN PRIMARY AND SECONDARY.
- 3) WEIGHT: 0.16 LBS.
- 4) RoHS AND REACH COMPLIANT
- 5) ALL DIMENSIONS ARE IN INCHES.

| | | | |
|---------------------------|-----------|---------------------------|-----------|
| MCI | | <i>NORTH BABYLON N.Y.</i> | |
| CUSTOMER | | MCI | |
| TITLE | | | |
| HORIZONTAL PC TRANSFORMER | | | |
| DRAWN BY | APPRVD BY | SCALE | DATE |
| JOW3 | JOW | NONE | 11-28-16 |
| DRAWING NUMBER | | | 4-12-2016 |