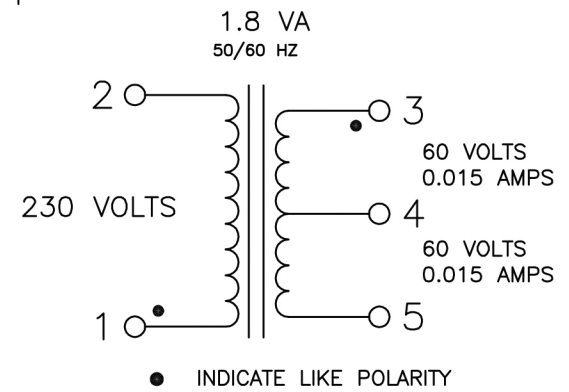
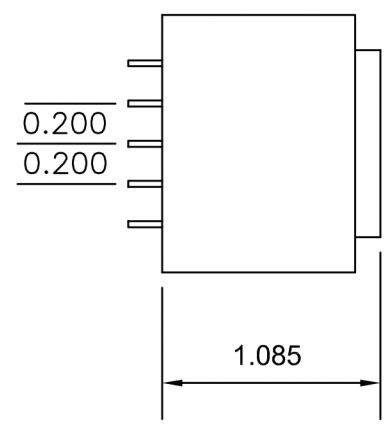
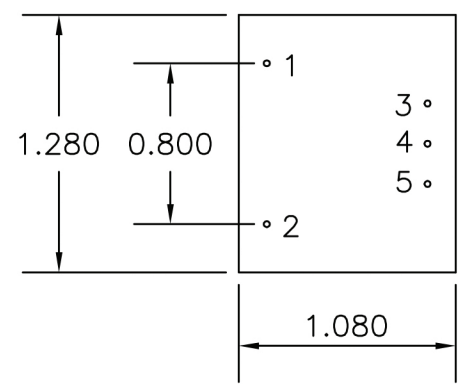
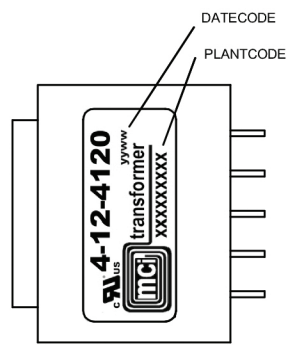
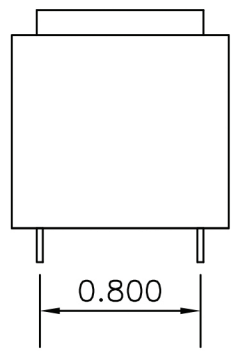


# REVISIONS

LETTER	DESCRIPTION	DWG BY	DATE



## NOTES:

- 1) UL RECOGNIZED COMPONENT: FILE # E86403
- 2) 3750 VRMS HIPOT BETWEEN PRIMARY AND SECONDARY.
- 3) WEIGHT: 0.21 LBS.
- 4) RoHS AND REACH COMPLIANT
- 5) ALL DIMENSIONS ARE IN INCHES.

<b>MCI</b>		<small>NORTH BABYLON N.Y.</small>	
CUSTOMER MCI			
TITLE HORIZONTAL PC TRANSFORMER			
DRAWN BY JOW3	APPRVD BY JOW	SCALE NONE	DATE 11-29-16
DRAWING NUMBER 4-12-4120			