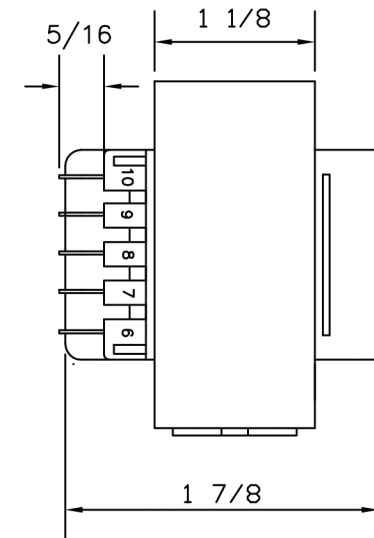
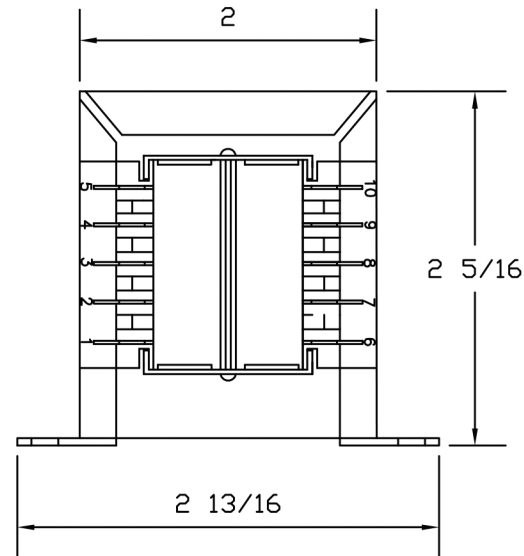
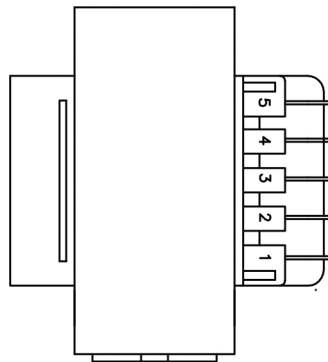
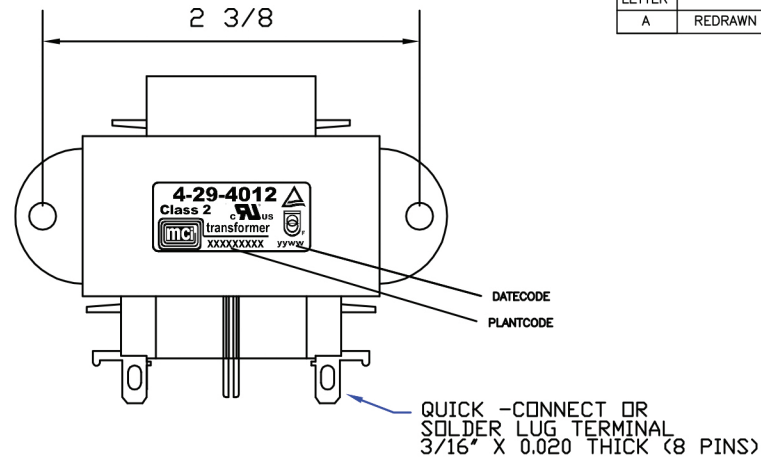
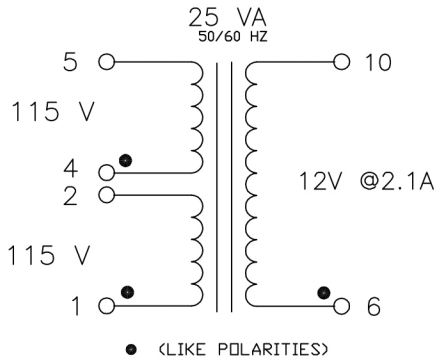


REVISIONS

| LETTER | DESCRIPTION | DWG BY | DATE |
|--------|---------------------------|--------|---------|
| A | REDRAWN AND UPDATED NOTES | JOW3 | 2-22-17 |



NOTES:

- 1) UL INSULATION SYSTEM E86543-CLASS F 155°C.
- 2) UL CLASS 2 RECOGNIZED COMPONENT CERTIFIED TO UL 5085-1, UL 5085-3: FILE # E120827
- 3) ISOLATION TRANSFORMER CONSTRUCTION UL 60601-1 AND CSA C22.2 NO. 66.1-06, C22.2 NO. 66.3-06, OR C22.2 NO. 0.1-M1985: FILE #E178395
- 4) TUV CERTIFIED: EN61558-1 AND EN61558-2-6, "IPOO: FAIL-SAFE SAFETY ISOLATION TRANSFORMER"
- *5) NON-INHERENTLY LIMITED, FUSE REQUIRED FOR CLASS 2 APPLICATION.
MAXIMUM FUSE ALLOWED: 2.5 AMPS
- 6) 4000 VRMS HIPOT BETWEEN PRIMARY AND (SECONDARY + CORE).
600 VOLTS BETWEEN SECONDARY AND CORE.
- 7) WEIGHT: 1.25 LBS.
- 8) RoHS AND REACH COMPLIANT
- 9) ALL DIMENSIONS ARE IN INCHES.

| | | | | | |
|---------------------------------------|-----------|-------|---------|---------------------------|--|
| MCI | | | | <i>NORTH BABYLON N.Y.</i> | |
| CUSTOMER | | MCI | | | |
| TITLE | | | | | |
| VDE QUICK CONNECT CLASS 2 TRANSFORMER | | | | | |
| DRAWN BY | APPRVD BY | SCALE | DATE | DRAWING NUMBER | |
| SMS | JOW | | 5-22-06 | 4-29-4012 | |