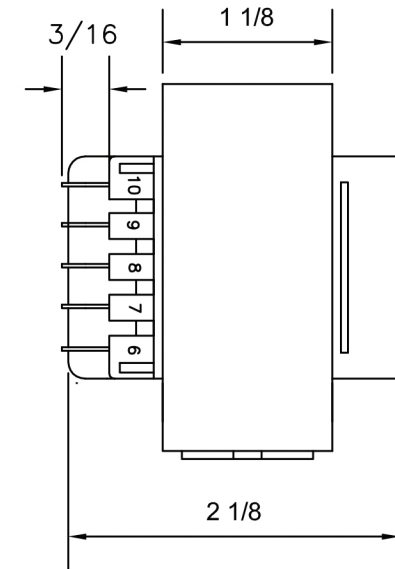
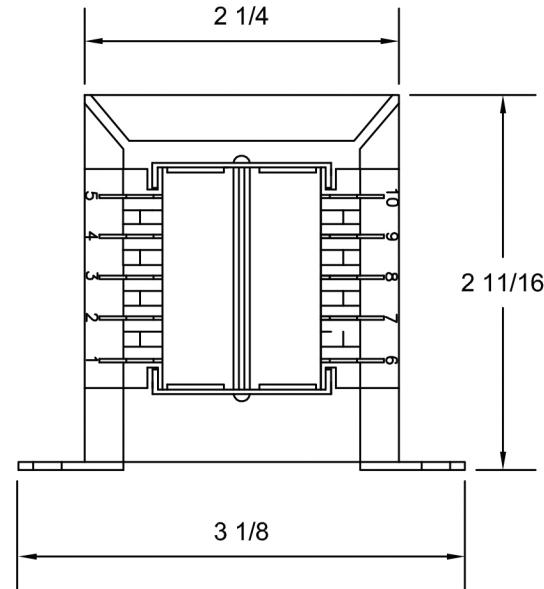
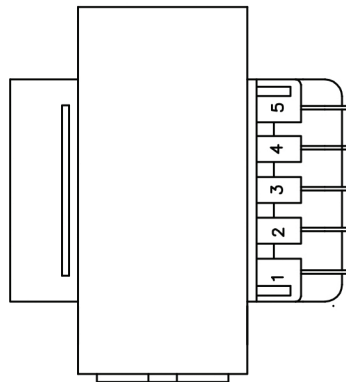
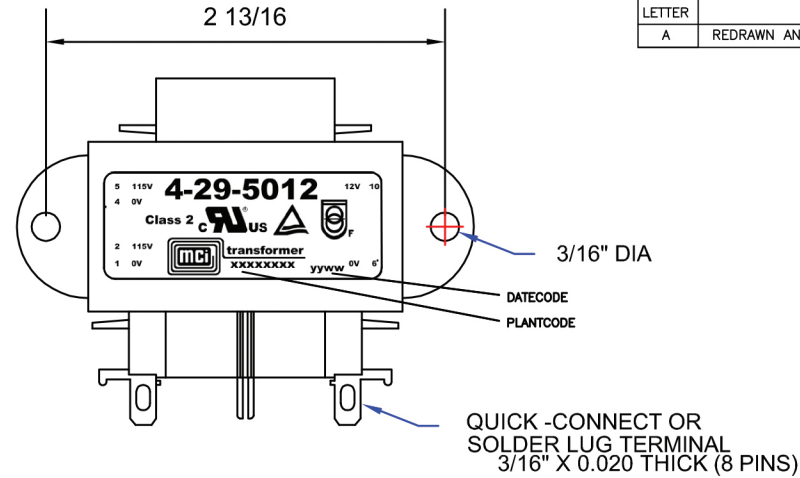
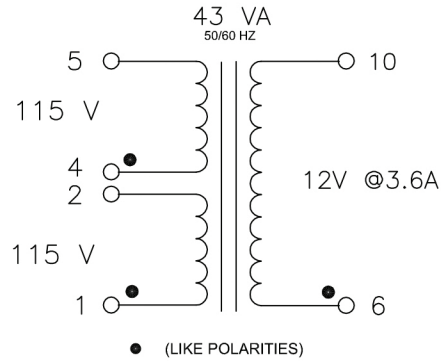


REVISIONS

LETTER	DESCRIPTION	DWG BY	DATE
A	REDRAWN AND UPDATED NOTES	SMS	1-5-17



NOTES:

- 1) UL INSULATION SYSTEM E86543-CLASS F 155°C.
- 2) UL CLASS 2 RECOGNIZED COMPONENT CERTIFIED TO UL 5085-1, UL 5085-3: FILE # E120827
- 3) ISOLATION TRANSFORMER CONSTRUCTION UL 60601-1 AND CSA C22.2 NO. 66.1-06, C22.2 NO. 66.3-06, OR C22.2 NO. 0.1-M1985: FILE #E178395
- 4) TUV CERTIFIED: EN61558-1 AND EN61558-2-6, "IPOO: FAIL-SAFE SAFETY ISOLATION TRANSFORMER"
- *5) NON-INHERENTLY LIMITED, FUSE REQUIRED FOR CLASS 2 APPLICATION.
MAXIMUM FUSE ALLOWED: 4.0 AMPS
- 6) 4000 VRMS HIPOT BETWEEN PRIMARY AND (SECONDARY + CORE).
600 VOLTS BETWEEN SECONDARY AND CORE.
- 7) WEIGHT: 1.60 LBS.
- 8) RoHS AND REACH COMPLIANT
- 9) ALL DIMENSIONS ARE IN INCHES.

MCI					<small>NORTH BABYLON N.Y.</small>
CUSTOMER		MCI			
TITLE					
VDE QUICK CONNECT CLASS 2 TRANSFORMER					
DRAWN BY	APPRVD BY	SCALE	DATE	DRAWING NUMBER	
SMS	JOW		3-11-14	4-29-5012	