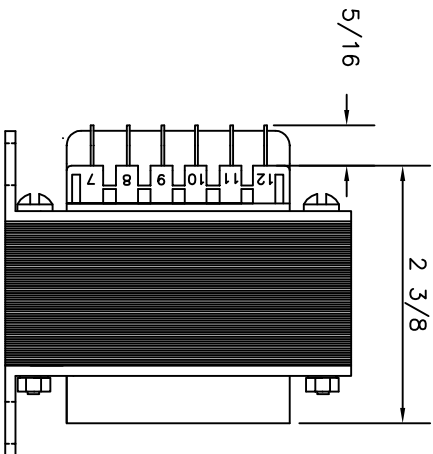
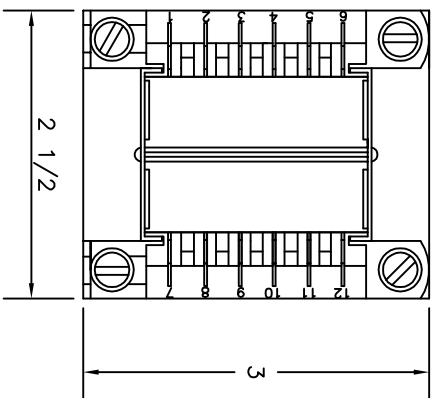
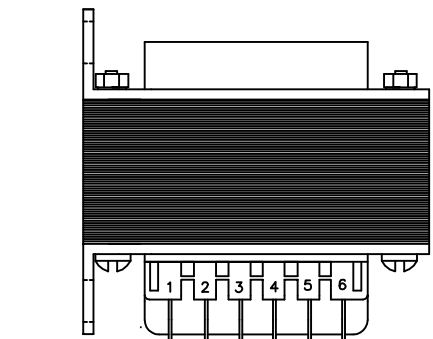
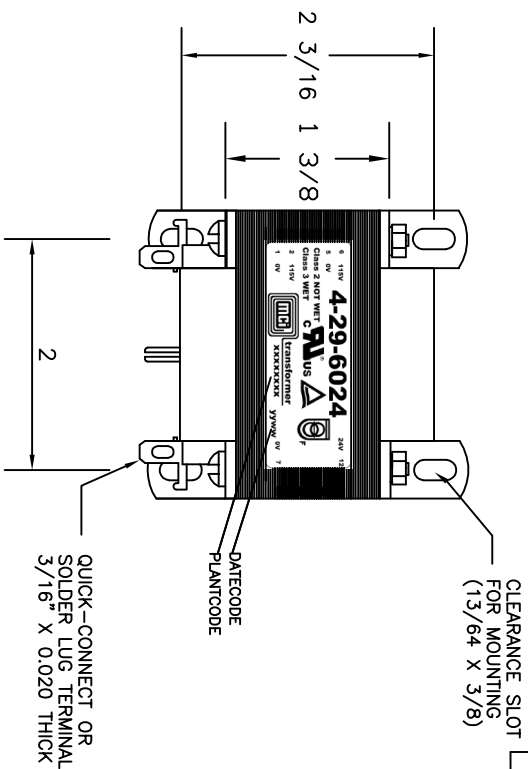
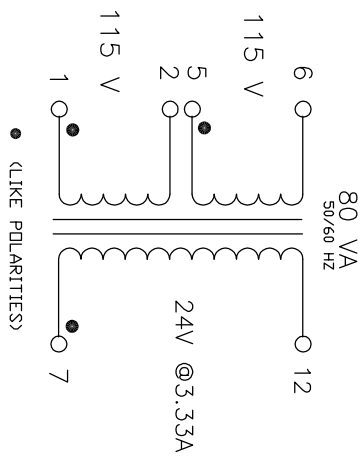


REVISIONS

LETTER	DESCRIPTION	DATE
A	REDRAWN AND UPDATED NOTES	2-22-17
B	CORRECTED LABEL AND SCHEMATIC	7-5-18



NOTES:

- 1) UL INSULATION SYSTEM EB6543--CLASS F 155°C.
- 2) UL CLASS 2 RECOGNIZED COMPONENT CERTIFIED TO UL 5085-1, UL 5085-3: FILE # E120827
- 3) ISOLATION TRANSFORMER CONSTRUCTION UL 60601-1 AND CSA C22.2 NO. 66.1-06, C22.2 NO. 66.3-06, OR C22.2 NO. 0.1-M1985: FILE #E178395
- 4) TUV CERTIFIED: EN61558-1 AND EN61558-2-6, "PPOC: "FAIL-SAFE SAFETY ISOLATION TRANSFORMER", NON-INHERENTLY LIMITED, FUSE REQUIRED FOR CLASS 2 APPLICATION."
- MAXIMUM FUSE ALLOWED: 4.0 AMPS
- 6) 4000 VRMS HIPOT BETWEEN PRIMARY AND (SECONDARY + CORE).
- 600 VOLTS BETWEEN SECONDARY AND CORE.
- 7) WEIGHT: 2.8 LBS.
- 8) ROHS AND REACH COMPLIANT
- 9) ALL DIMENSIONS ARE IN INCHES.

CUSTOMER		MCI		NORTH BABYLON N.Y.	
TITLE					
VDE QUICK CONNECT CLASS 2 TRANSFORMER					
DRAWN BY	APPRVD BY	SCALE	DATE	DRAWING NUMBER	
SMS	JDW	NONE	5-23-06	4-29-6024	