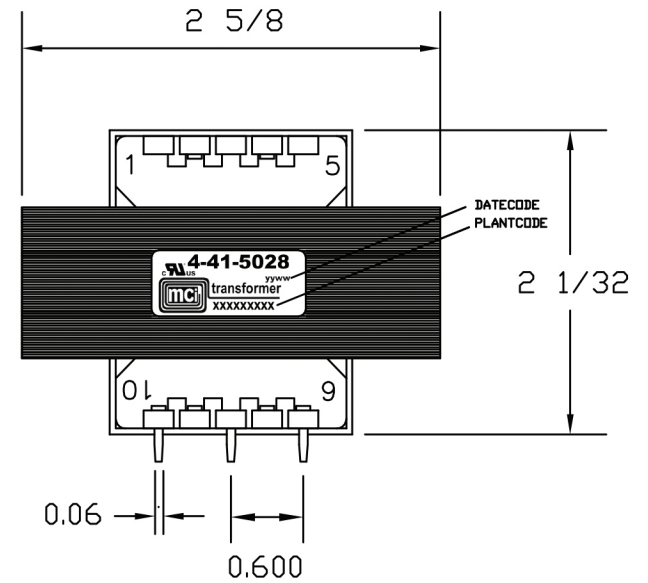
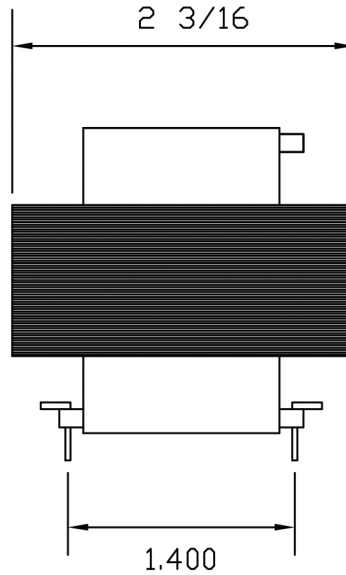
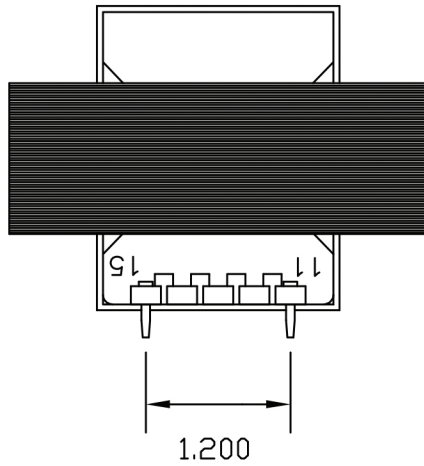


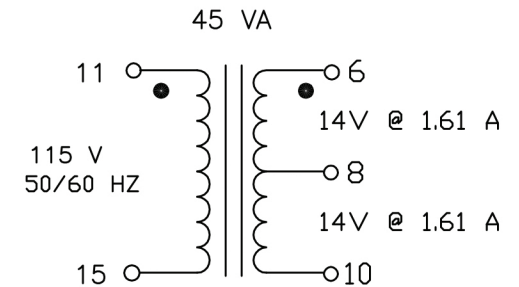
REVISIONS

| LETTER | DESCRIPTION | DWG BY | DATE |
|--------|-------------|--------|------|
| | | | |



NOTES:

- 1) UL RECOGNIZED COMPONENT: STANDARD XPTQ2, FILE E86403
- 2) UL CERTIFIED FOR CANADA-COMPONENT: STANDARD XPTQ8, FILE E86403
- 3) WEIGHT: 1.40 LBS.
- 4) RoHS AND REACH COMPLIANT
- 5) ALL DIMENSIONS ARE IN INCHES.
- 6) 4000 VOLT HIPOT BETWEEN PRIMARY AND (SECONDARY AND CORE)
500 VOLT HIPOT FROM SECONDARY TO CORE.



● LIKE POLARITIES

| | | | |
|---------------------------------------|-----------|-----------------------------------|-----------|
| MCI | | <small>NORTH BABYLON N.Y.</small> | |
| CUSTOMER | | MCI | |
| TITLE VDE HORIZONTAL P.C. TRANSFORMER | | | |
| DRAWN BY | APPRVD BY | SCALE | DATE |
| JOW3 | JOW | NONE | 1-18-17 |
| DRAWING NUMBER | | | 4-41-5028 |