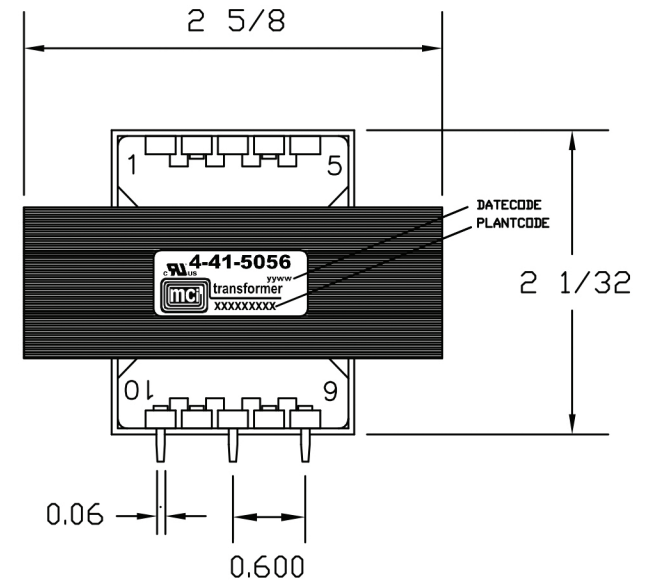
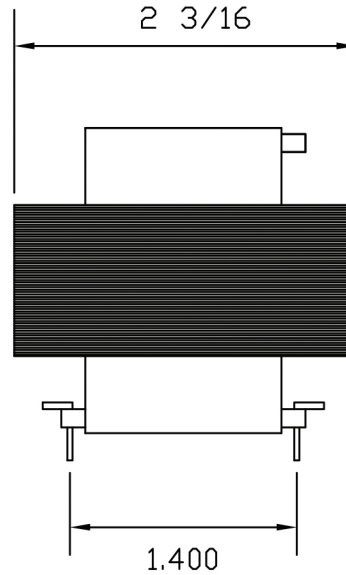
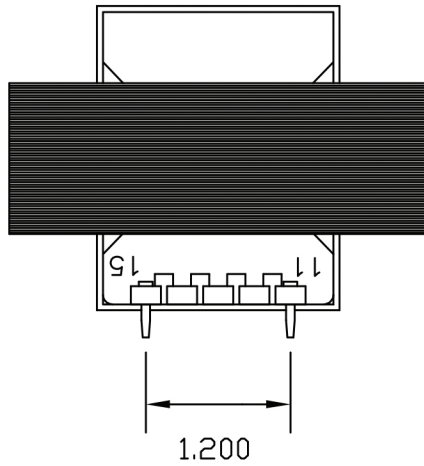


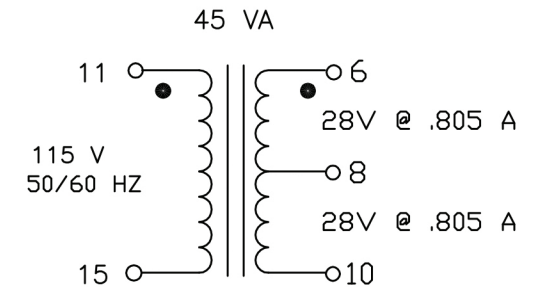
# REVISIONS

| LETTER | DESCRIPTION | DWG BY | DATE |
|--------|-------------|--------|------|
|        |             |        |      |



## NOTES:

- 1) UL RECOGNIZED COMPONENT: STANDARD XPTQ2, FILE E86403
- 2) UL CERTIFIED FOR CANADA-COMPONENT: STANDARD XPTQ8, FILE E86403
- 3) WEIGHT: 1.40 LBS.
- 4) RoHS AND REACH COMPLIANT
- 5) ALL DIMENSIONS ARE IN INCHES.
- 6) 4000 VOLT HIPOT BETWEEN PRIMARY AND (SECONDARY AND CORE)  
2000 VOLT HIPOT FROM SECONDARY TO CORE.



● LIKE POLARITIES

|                                       |           |                                   |           |
|---------------------------------------|-----------|-----------------------------------|-----------|
| <b>MCI</b>                            |           | <small>NORTH BABYLON N.Y.</small> |           |
| CUSTOMER                              |           | MCI                               |           |
| TITLE VDE HORIZONTAL P.C. TRANSFORMER |           |                                   |           |
| DRAWN BY                              | APPRVD BY | SCALE                             | DATE      |
| JOW3                                  | JOW       | NONE                              | 1-18-17   |
| DRAWING NUMBER                        |           |                                   | 4-41-5056 |