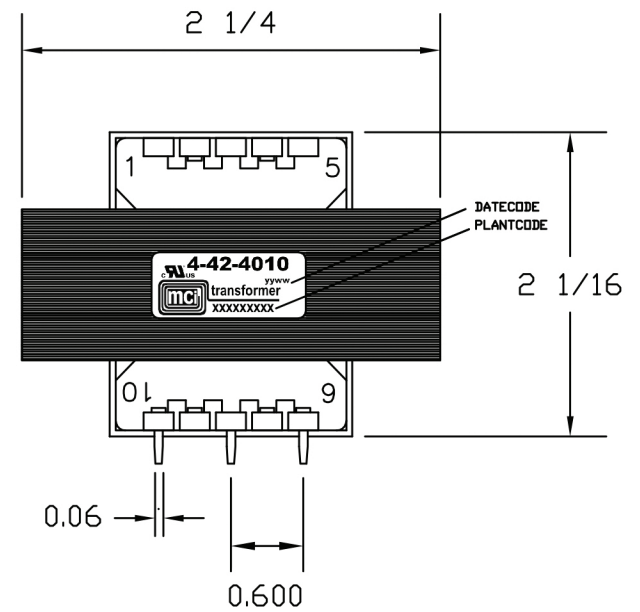
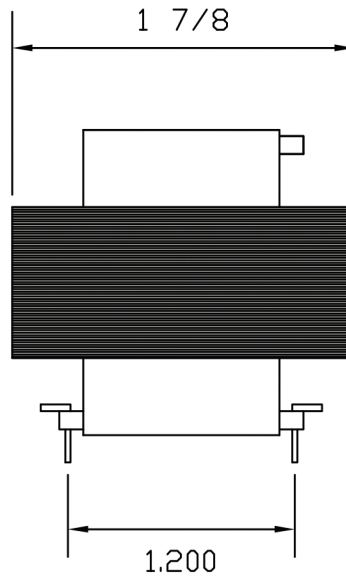
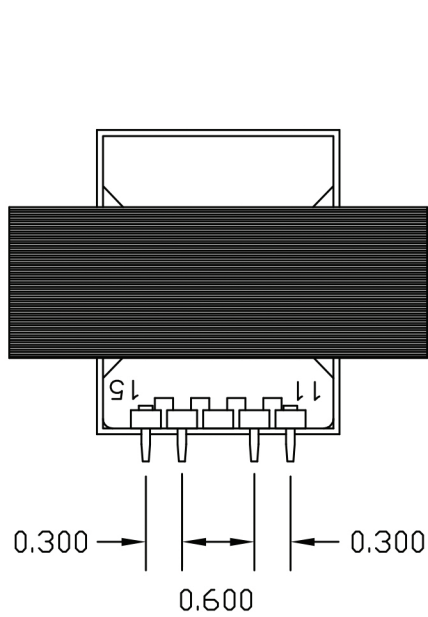


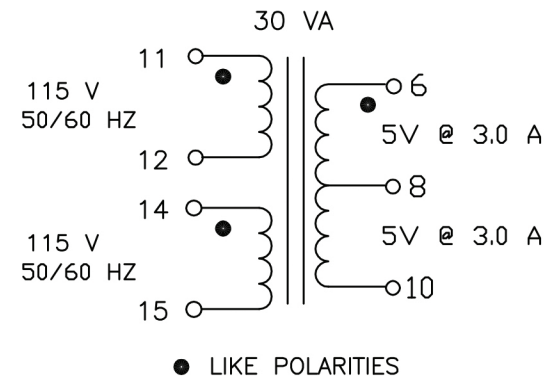
REVISIONS

| LETTER | DESCRIPTION | DWG BY | DATE |
|--------|---------------------------|--------|---------|
| A | REDRAWN AND UPDATED NOTES | JOW3 | 1/10/17 |



NOTES:

- 1) UL RECOGNIZED COMPONENT: STANDARD XPTQ2, FILE E86403
- 2) UL CERTIFIED FOR CANADA-COMPONENT: STANDARD XPTQ8, FILE E86403
- 3) WEIGHT: 1.20 LBS.
- 4) RoHS AND REACH COMPLIANT
- 5) ALL DIMENSIONS ARE IN INCHES.
- 6) 4000 VOLT HIPOT BETWEEN PRIMARY AND (SECONDARY AND CORE)
500 VOLT HIPOT FROM SECONDARY TO CORE.



| | | | |
|---------------------------------------|-----------|---------------------------|-----------|
| MCI | | <i>NORTH BABYLON N.Y.</i> | |
| CUSTOMER | | MCI | |
| TITLE VDE HORIZONTAL P.C. TRANSFORMER | | | |
| DRAWN BY | APPRVD BY | SCALE | DATE |
| SMS | JOW | NONE | 1-10-17 |
| DRAWING NUMBER | | | 4-42-4010 |