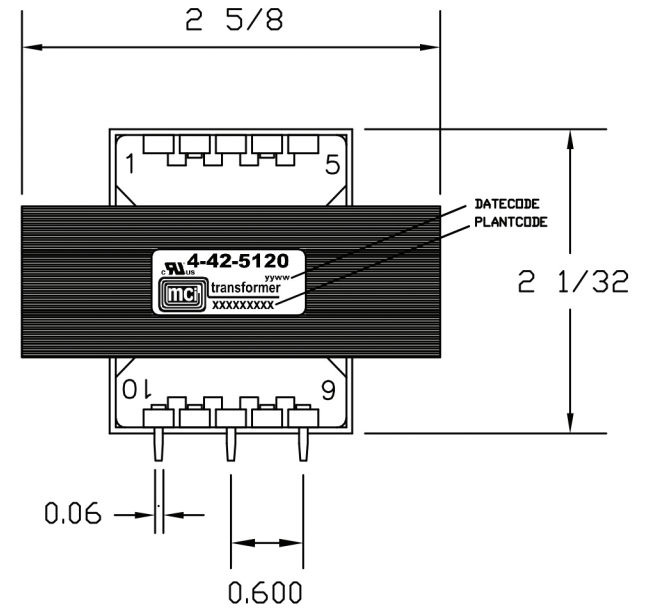
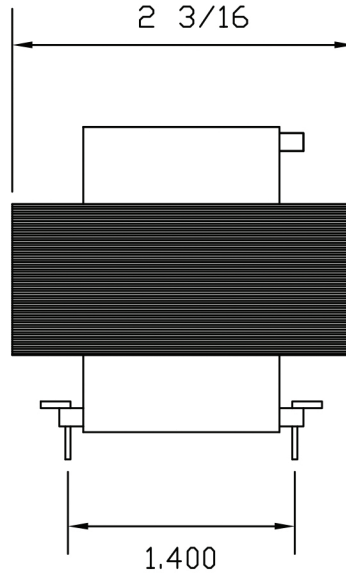
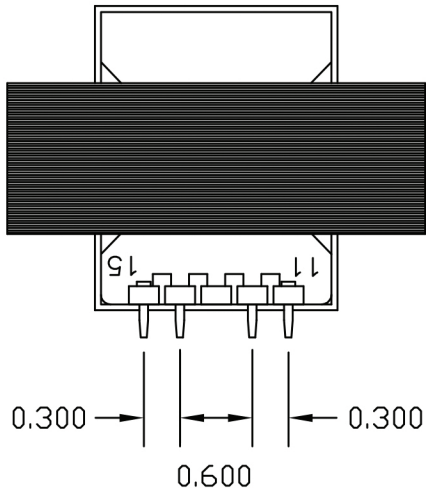


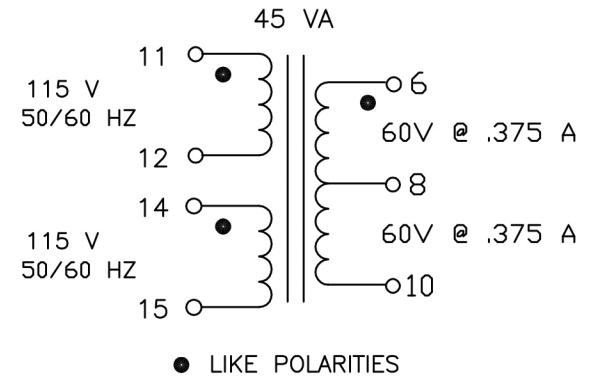
# REVISIONS

| LETTER | DESCRIPTION | DWG BY | DATE |
|--------|-------------|--------|------|
|        |             |        |      |



**NOTES:**

- 1) UL RECOGNIZED COMPONENT: STANDARD XPTQ2, FILE E86403
- 2) UL CERTIFIED FOR CANADA-COMPONENT: STANDARD XPTQ8, FILE E86403
- 3) WEIGHT: 1.40 LBS.
- 4) RoHS AND REACH COMPLIANT
- 5) ALL DIMENSIONS ARE IN INCHES.
- 6) 4000 VOLT HIPOT BETWEEN PRIMARY AND (SECONDARY AND CORE)  
2000 VOLT HIPOT FROM SECONDARY TO CORE.



|                                       |           |                           |           |
|---------------------------------------|-----------|---------------------------|-----------|
| <b>MCI</b>                            |           | <i>NORTH BABYLON N.Y.</i> |           |
| CUSTOMER                              |           | MCI                       |           |
| TITLE VDE HORIZONTAL P.C. TRANSFORMER |           |                           |           |
| DRAWN BY                              | APPRVD BY | SCALE                     | DATE      |
| JOW3                                  | JOW       | NONE                      | 1-18-17   |
| DRAWING NUMBER                        |           |                           | 4-42-5120 |