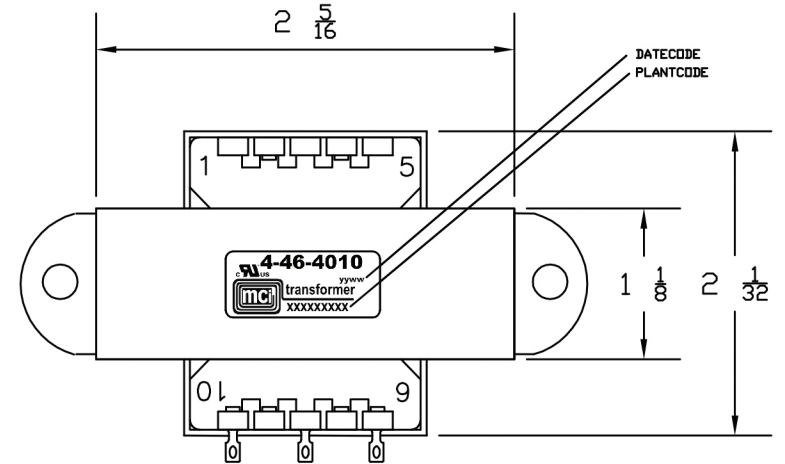
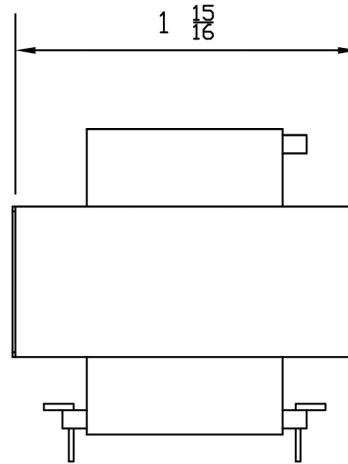
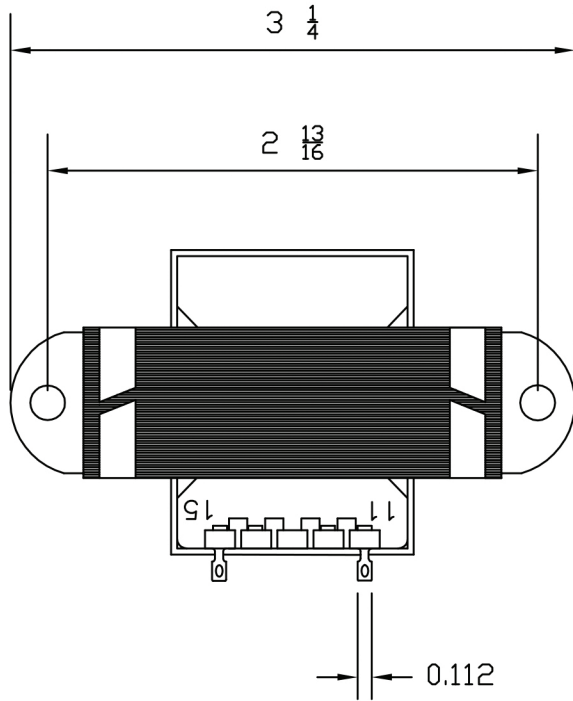


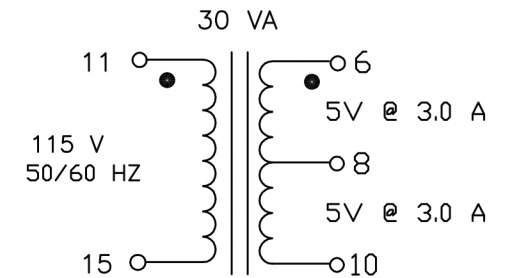
REVISIONS

| LETTER | DESCRIPTION | DATE |
|--------|-------------|------|
| | | |



NOTES:

- 1) UL RECOGNIZED COMPONENT: STANDARD XPTQ2, FILE E86403
- 2) UL CERTIFIED FOR CANADA-COMPONENT: STANDARD XPTQ8, FILE E86403
- 3) WEIGHT: 1.20 LBS.
- 4) RoHS AND REACH COMPLIANT
- 5) ALL DIMENSIONS ARE IN INCHES
- 6) 4000 VOLT HIPOT BETWEEN PRIMARY AND (SECONDARY AND CORE)
500 VOLT HIPOT FROM SECONDARY TO CORE



● LIKE POLARITIES

| | | | |
|-------------------------------------|-----------|---------------------------|-----------|
| MCI | | <i>NORTH BABYLON N.Y.</i> | |
| CUSTOMER | | MCI | |
| TITLE VDE QUICK CONNECT TRANSFORMER | | | |
| DRAWN BY | APPRVD BY | SCALE | DATE |
| SMS | JOW | NONE | 1-11-17 |
| DRAWING NUMBER | | | 4-46-4010 |