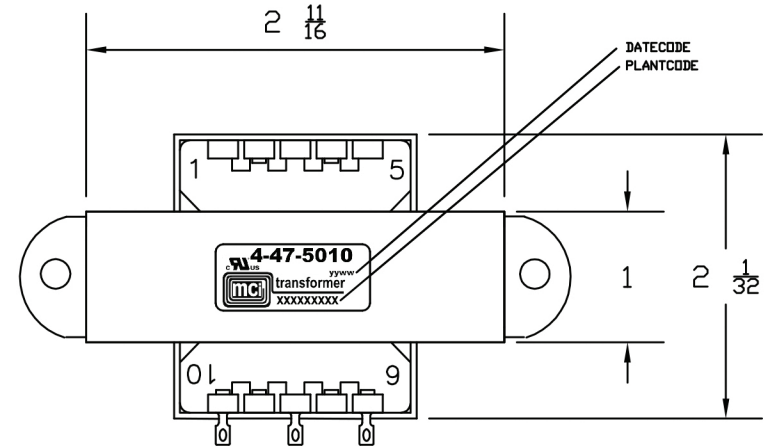
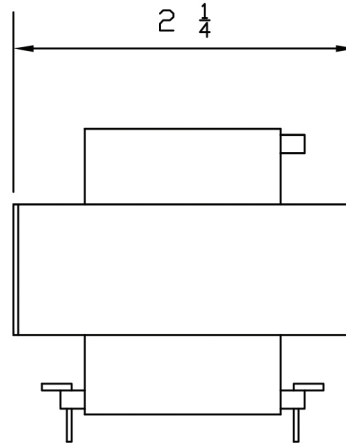
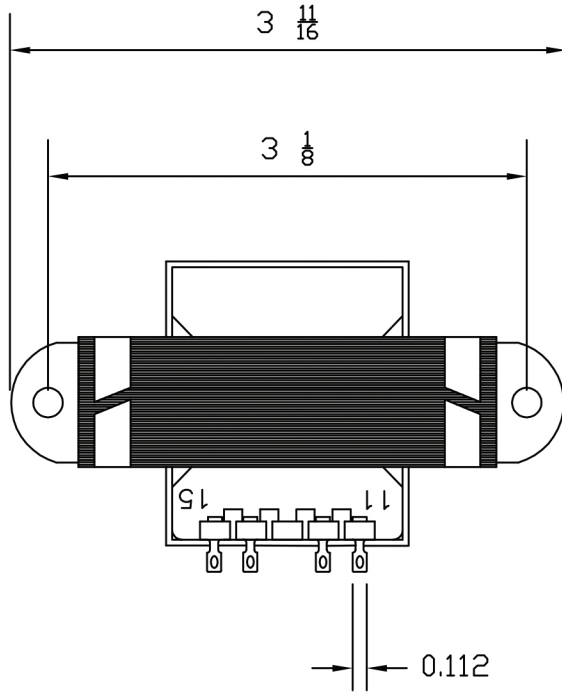


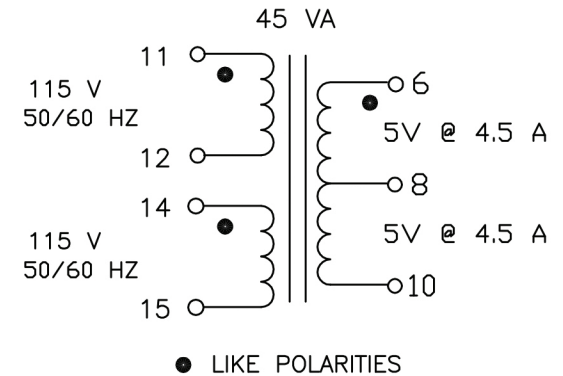
# REVISIONS

| LETTER | DESCRIPTION | DATE |
|--------|-------------|------|
|        |             |      |



**NOTES:**

- 1) UL RECOGNIZED COMPONENT: STANDARD XPTQ2, FILE E86403
- 2) UL CERTIFIED FOR CANADA-COMPONENT: STANDARD XPTQ8, FILE E86403
- 3) WEIGHT: 1.40 LBS.
- 4) RoHS AND REACH COMPLIANT
- 5) ALL DIMENSIONS ARE IN INCHES
- 6) 4000 VOLT HIPOT BETWEEN PRIMARY AND (SECONDARY AND CORE)  
500 VOLT HIPOT FROM SECONDARY TO CORE



|                                     |           |                           |           |
|-------------------------------------|-----------|---------------------------|-----------|
| <b>MCI</b>                          |           | <i>NORTH BABYLON N.Y.</i> |           |
| CUSTOMER                            |           | MCI                       |           |
| TITLE VDE QUICK CONNECT TRANSFORMER |           |                           |           |
| DRAWN BY                            | APPRVD BY | SCALE                     | DATE      |
| SMS                                 | JOW       | NONE                      | 1-16-17   |
| DRAWING NUMBER                      |           |                           | 4-47-5010 |