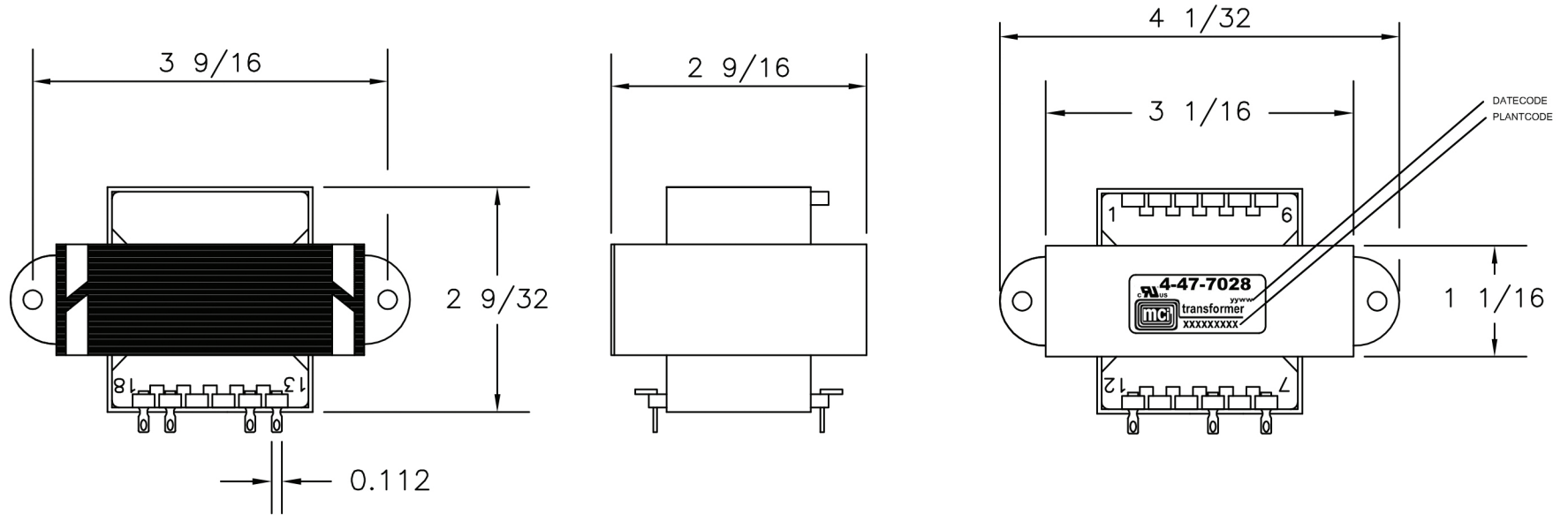


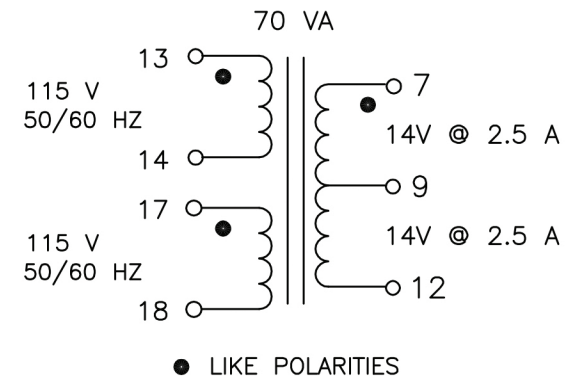
# REVISIONS

LETTER	DESCRIPTION	DATE



## NOTES:

- 1) UL RECOGNIZED COMPONENT: STANDARD XPTQ2, FILE E86403
- 2) UL CERTIFIED FOR CANADA-COMPONENT: STANDARD XPTQ8, FILE E86403
- 3) WEIGHT: 2.4 LBS.
- 4) RoHS AND REACH COMPLIANT
- 5) ALL DIMENSIONS ARE IN INCHES
- 6) 4000 VOLT HIPOT BETWEEN PRIMARY AND (SECONDARY AND CORE)  
500 VOLT HIPOT FROM SECONDARY TO CORE



<b>MCI</b>					<b>NORTH BABYLON N.Y.</b>
CUSTOMER MCI					
TITLE VDE QUICK CONNECT TRANSFORMER					
DRAWN BY JOW3	APPRVD BY JOW	SCALE NONE	DATE 1-17-17	DRAWING NUMBER 4-47-7028	