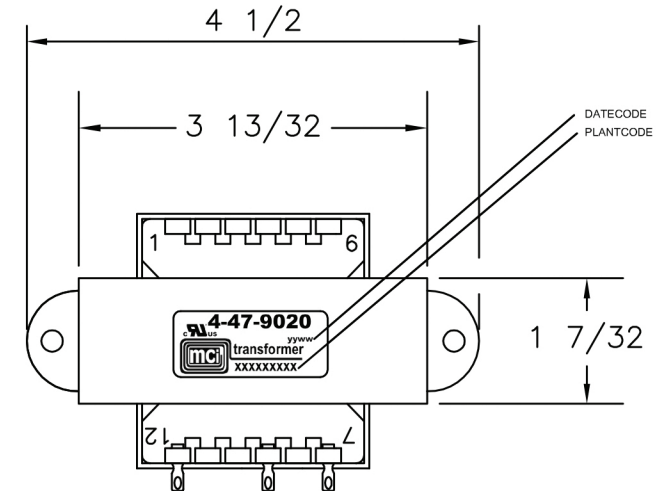
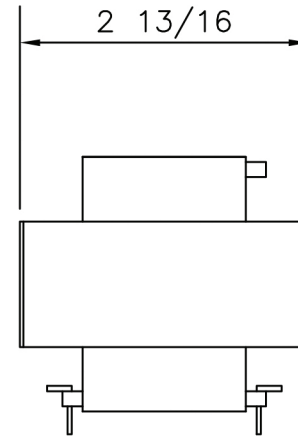
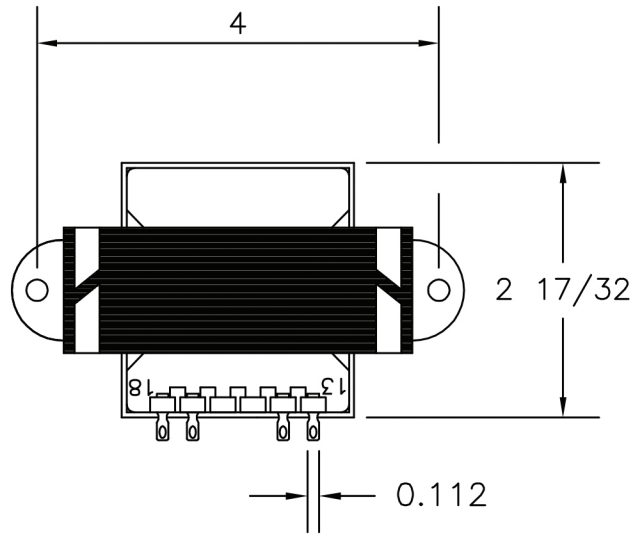


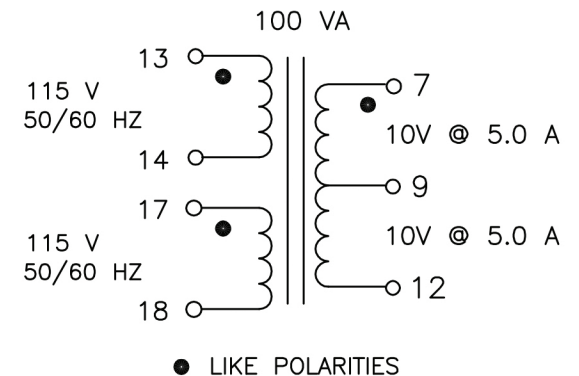
# REVISIONS

LETTER	DESCRIPTION	DATE



## NOTES:

- 1) UL RECOGNIZED COMPONENT: STANDARD XPTQ2, FILE E86403
- 2) UL CERTIFIED FOR CANADA-COMPONENT: STANDARD XPTQ8, FILE E86403
- 3) WEIGHT: 3.2 LBS.
- 4) RoHS AND REACH COMPLIANT
- 5) ALL DIMENSIONS ARE IN INCHES
- 6) 4000 VOLT HIPOT BETWEEN PRIMARY AND (SECONDARY AND CORE)  
500 VOLT HIPOT FROM SECONDARY TO CORE



<b>MCI</b>		<small>NORTH BABYLON N.Y.</small>	
CUSTOMER		MCI	
TITLE			
DRAWN BY		DRAWING NUMBER	
SMS	JOW	NONE	1-17-17
APPRVD BY		DATE	
JOW		1-17-17	
SCALE		DATE	
NONE		1-17-17	
DRAWING NUMBER		DATE	
4-47-9020		1-17-17	