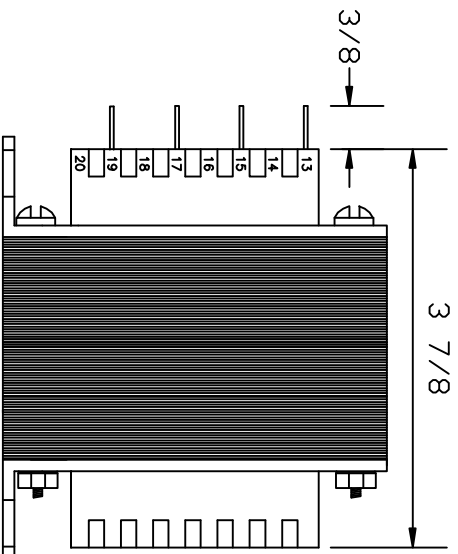
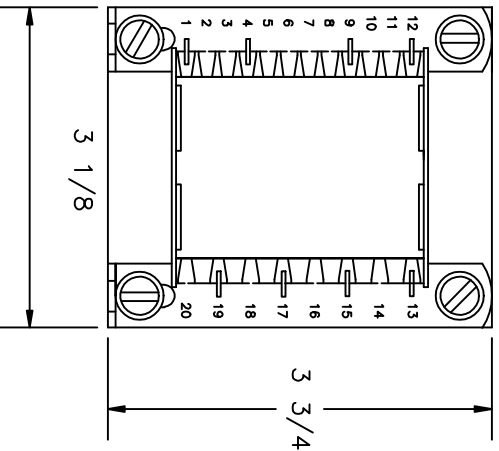
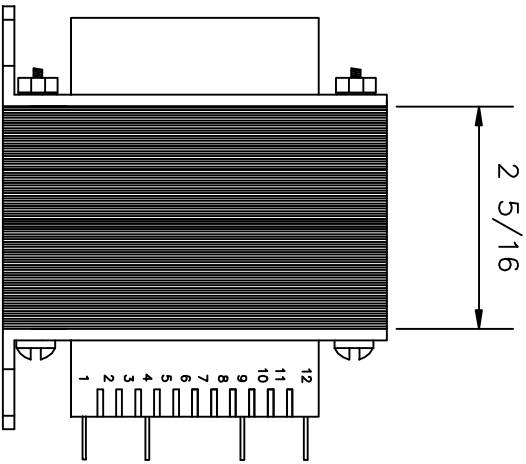


CLEARANCE SLOT
FOR MOUNTING
(13/64 X 3/8)

DATECODE
PLANTCODE
QUICK-CONNECT OR
SOLDER LUG TERMINAL
1/4" X 0.032 THICK



NOTES:

- 1) UL INSULATION SYSTEM E86543-CLASS F 155°C.
- 2) UL RECOGNIZED COMPONENT: FILE # E86403
- 3) ISOLATION TRANSFORMER CONSTRUCTION UL 60601-1 AND CSA C22.2 NO. 601.1-M90: FILE #E178395
- 4) TUV CERTIFIED: EN61558-1 AND EN61558-2-4, "IPPOO: FAIL-SAFE SAFETY ISOLATION TRANSFORMER"
- 5) CSA CERTIFIED: FILE # LR80864
- 6) 4000 VRMS HIPOT BETWEEN PRIMARY AND (SECONDARY + CORE).
- 7) 500 VOLTS BETWEEN SECONDARY AND CORE.
- 8) WEIGHT: 7.1 LBS.
- 9) ROHS AND REACH COMPLIANT
- 9) ALL DIMENSIONS ARE IN INCHES.

REVISIONS

LETTER	DESCRIPTION	DATE
A	CORRECTED MOUNTING DIMENSION & STACK DIMENSION	3-4-19

CUSTOMER	MCI	MCI		BABYLON, NY
TITLE	VDE QUICK CONNECT TRANSFORMER			
DRAWN BY	APPROVD BY	SCALE	DATE	DRAWING NUMBER
SMS	JDW	NONE	2-16-17	4-49-0120