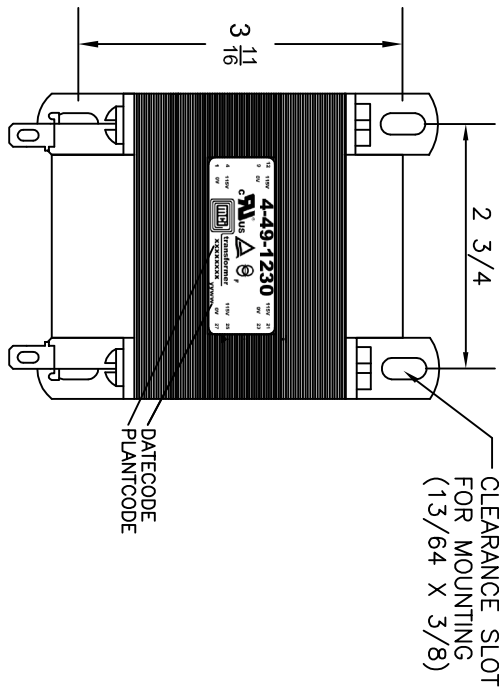
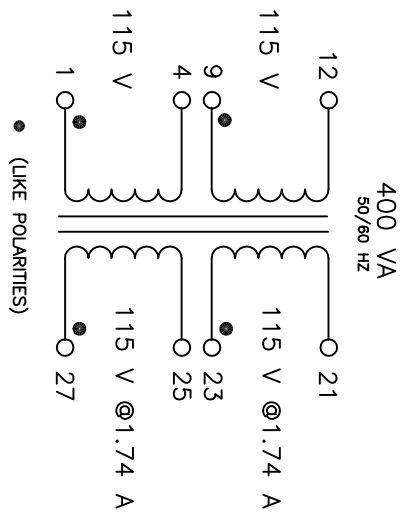
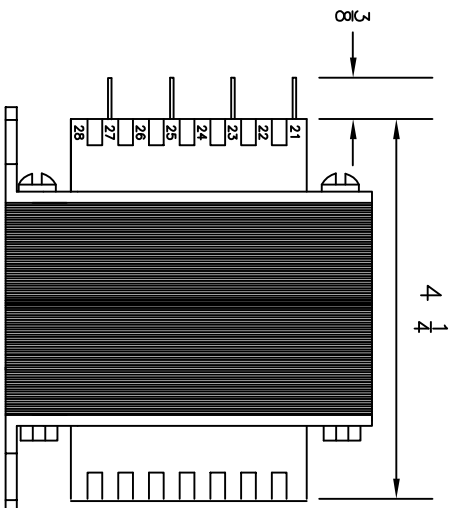
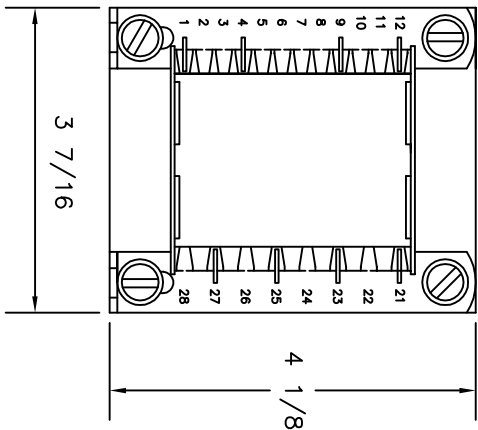
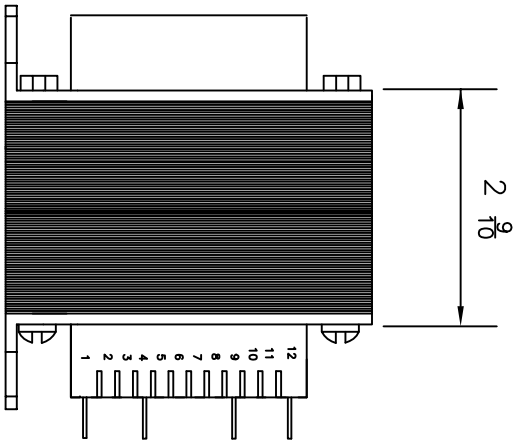


REVISIONS		
LETTER	DESCRIPTION	DATE
A	REDRAWN AND UPDATED NOTES	2-14-17
B	UPDATED LABEL	6-12-18



QUICK-CONNECT OR
SOLDER LUG TERMINAL
1/4" X 0.032 THICK



NOTES:

- 1) UL INSULATION SYSTEM E86543-CLASS F 155°C.
- 2) UL RECOGNIZED COMPONENT: FILE # E86403
- 3) ISOLATION TRANSFORMER CONSTRUCTION UL 60601-1 AND CSA C22.2 NO. 601.1-M90: FILE #E178395
- 4) TUV CERTIFIED: EN61558-1 AND EN61558-2-4, "PPOO: FAIL-SAFE SAFETY ISOLATION TRANSFORMER"
- 5) 4000 VRMS HIPOT BETWEEN PRIMARY AND (SECONDARY + CORE).
500 VOLTS BETWEEN SECONDARY AND CORE.
- 6) WEIGHT: 10.7 LBS.
- 7) ROHS AND REACH COMPLIANT
- 8) ALL DIMENSIONS ARE IN INCHES.

CUSTOMER		MCI		MCI		BABYLON, NY	
TITLE VDE QUICK CONNECT TRANSFORMER							
DRAWN BY	APPROVD BY	SCALE	DATE	DRAWING NUMBER			
SMS	JOW	NONE	11-13-14	4-49-1230			