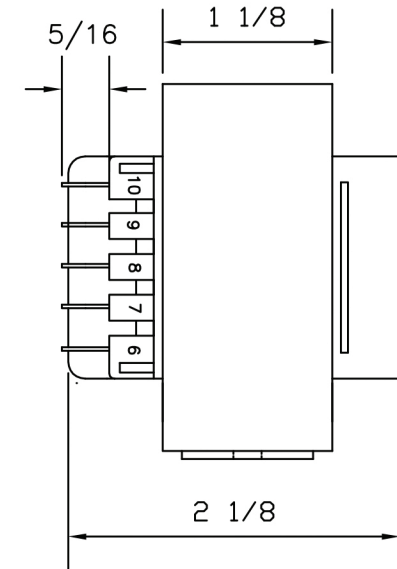
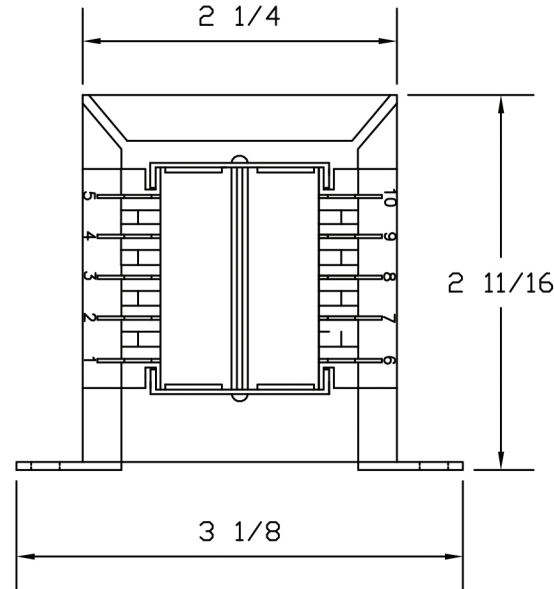
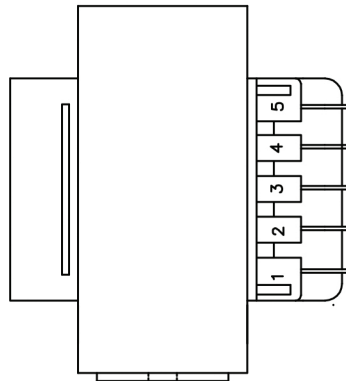
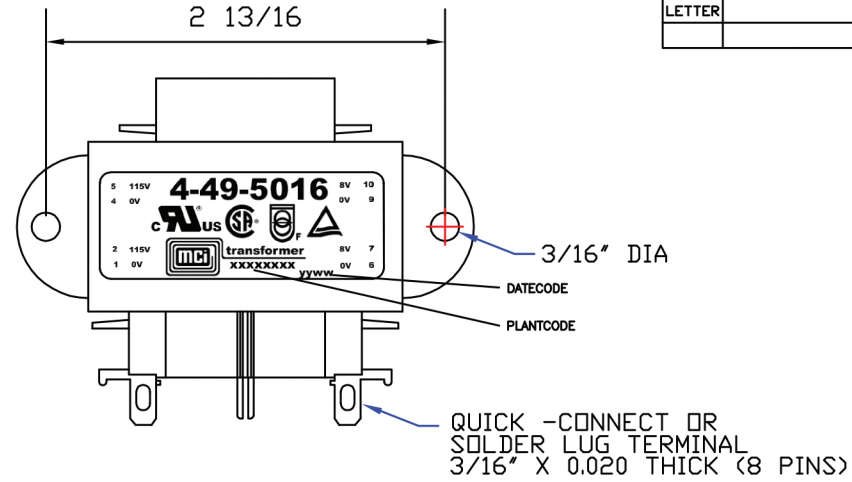
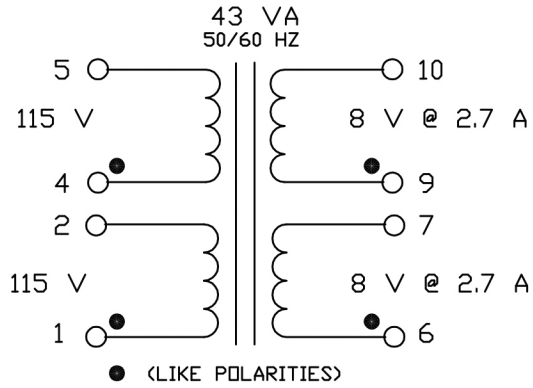


REVISIONS

| LETTER | DESCRIPTION | DATE |
|--------|-------------|------|
| | | |



NOTES:

- 1) UL INSULATION SYSTEM E86543—CLASS F 155°C.
- 2) UL RECOGNIZED COMPONENT: FILE # E86403
- 3) ISOLATION TRANSFORMER CONSTRUCTION UL 60601-1 AND CSA C22.2 NO. 601.1-M90: FILE #E178395
- 4) TUV CERTIFIED: EN61558-1 AND EN61558-2-6, "IPOO: FAIL-SAFE SAFETY ISOLATION TRANSFORMER"
- 5) CSA CERTIFIED: FILE # LR80864
- 6) 4000 VRMS HIPOT BETWEEN PRIMARY AND (SECONDARY + CORE).
500 VOLTS BETWEEN SECONDARY AND CORE.
- 7) WEIGHT: 1.6 LBS.
- 8) RoHS AND REACH COMPLIANT
- 9) ALL DIMENSIONS ARE IN INCHES.

| | | | | | |
|-------------------------------------|-----------|-------|--------|-----------------------------------|--|
| MCI | | | | <small>NORTH BABYLON N.Y.</small> | |
| CUSTOMER MCI | | | | | |
| TITLE VDE QUICK CONNECT TRANSFORMER | | | | | |
| DRAWN BY | APPRVD BY | SCALE | DATE | DRAWING NUMBER | |
| JOW3 | JOW | | 2-8-17 | 4-49-5016 | |