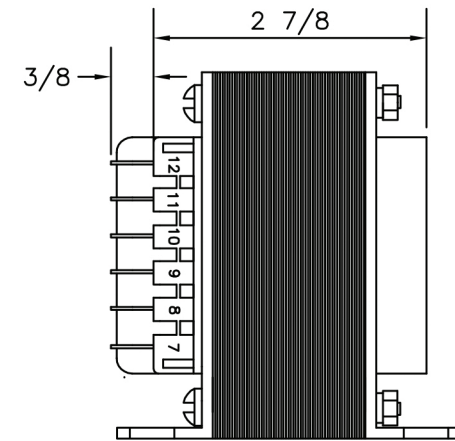
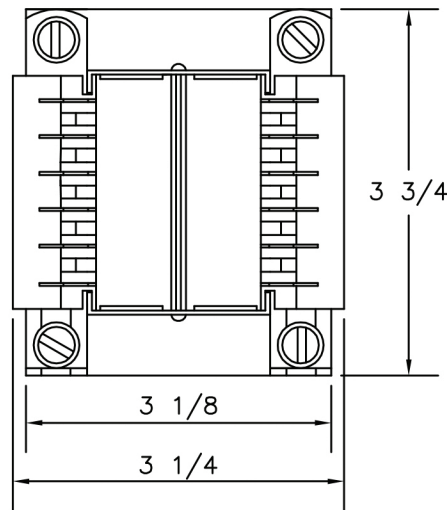
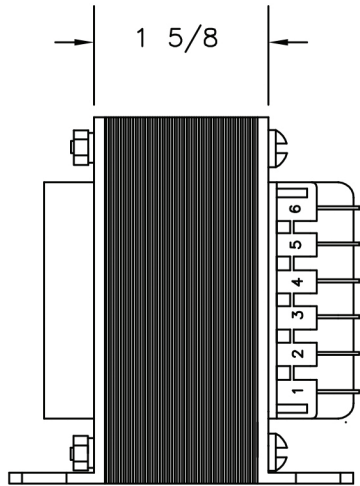
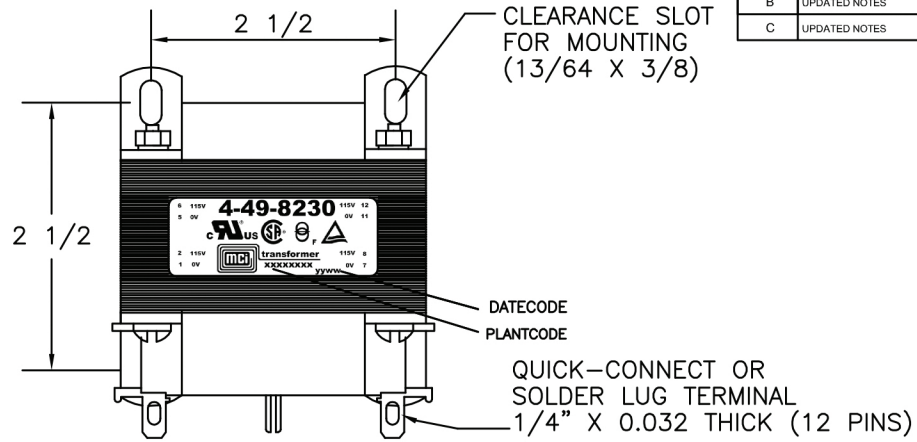
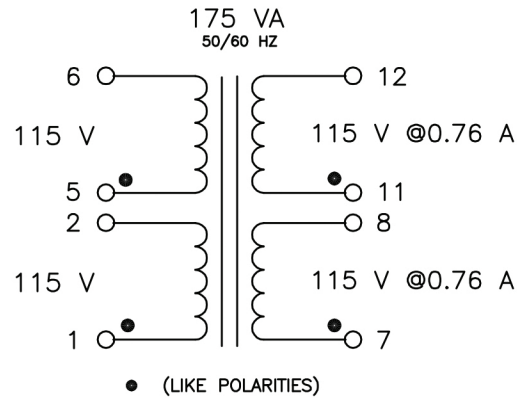


# REVISIONS

LETTER	DESCRIPTION	DATE
A	ADDED 2 LAYERS OF #56 YELLOW TAPE TO SECONDARY WINDING ADDED NOTES, AND LABEL INFORMATION CORRECTED BOBBIN MODEL NUMBER	11-28-05
B	UPDATED NOTES	7-29-15
C	UPDATED NOTES	2-8-17



## NOTES:

- 1) UL INSULATION SYSTEM E86543-CLASS F 155°C.
- 2) UL RECOGNIZED COMPONENT: FILE # E86403
- 3) ISOLATION TRANSFORMER CONSTRUCTION UL 60601-1 AND CSA C22.2 NO. 601.1-M90: FILE #E178395
- 4) TUV CERTIFIED: EN61558-1 AND EN61558-2-4, "IPPOO: FAIL-SAFE SAFETY ISOLATION TRANSFORMER Ⓢ"
- 5) CSA CERTIFIED: FILE # LR80864
- 6) 4000 VRMS HIPOT BETWEEN PRIMARY AND (SECONDARY + CORE).  
500 VOLTS BETWEEN SECONDARY AND CORE.
- 7) WEIGHT: 5.5 LBS.
- 8) RoHS AND REACH COMPLIANT
- 9) ALL DIMENSIONS ARE IN INCHES.

<b>MCI</b>					<b>NORTH BABYLON N.Y.</b>
CUSTOMER		MCI			
TITLE					
VDE QUICK CONNECT TRANSFORMER					
DRAWN BY	APPRVD BY	SCALE	DATE	DRAWING NUMBER	
JOW3	JOW	NONE	2-8-17	4-49-8230	