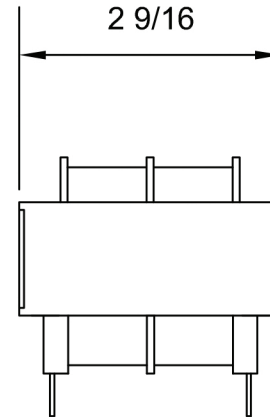
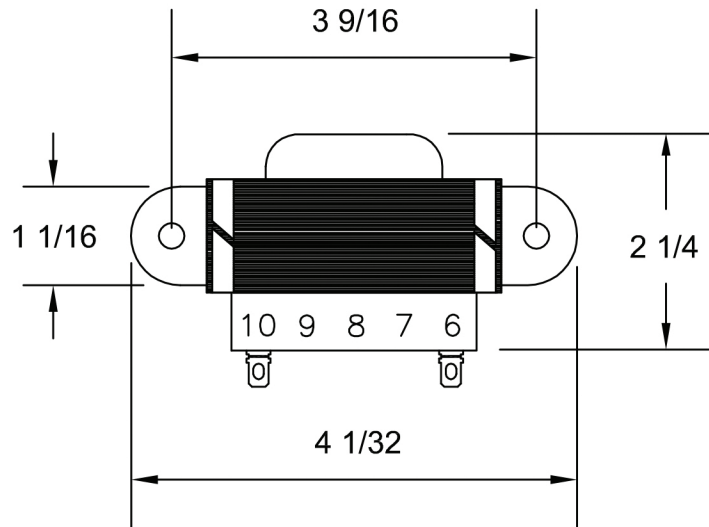
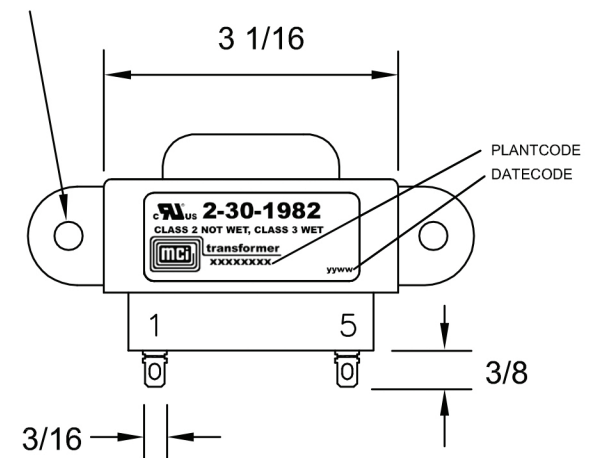


REVISIONS

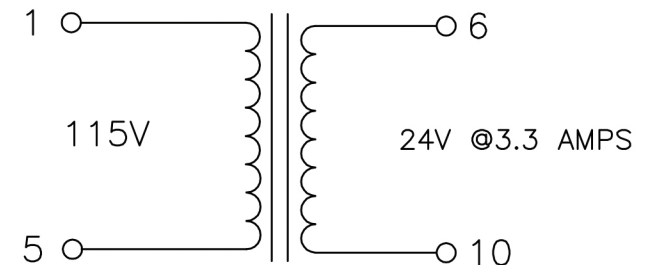
LETTER	DESCRIPTION	DWG BY	DATE
A	UPDATED LABEL	JOW3	8-7-17



0.187 DIA. TYP



80 VA
50/60 HZ



NOTES:

- 1) UL INSULATION SYSTEM E86543-CLASS F 155°C.
- 2) UL CLASS 2 RECOGNIZED COMPONENT CERTIFIED TO UL 5085-1, UL 5085-3: FILE # E120827.
- 3) ISOLATION TRANSFORMER CONSTRUCTION UL 60601-1 AND CSA C22.2 NO. 601.1-M90: FILE #E178395.
- 4) NON-INHERENTLY LIMITED.
- 5) 2500 VRMS HIPOT BETWEEN PRIMARY AND (SECONDARY + CORE).
500 VOLTS BETWEEN SECONDARY AND CORE.
- 6) WEIGHT: 2.75 LBS.
- 7) RoHS AND REACH COMPLIANT.
- 8) ALL DIMENSIONS ARE IN INCHES.
- 9) 800 mA SLOW BLOW FUSE REQUIRED ON PRIMARY FOR CLASS 2 USE.

MCI					NORTH BABYLON N.Y.
CUSTOMER		MCI			
TITLE					
CLASS 2 QUICK CONNECT POWER TRANSFORMER					
DRAWN BY	APPRVD BY	SCALE	DATE	DRAWING NUMBER	
SMS	JOW	NONE	3-14-17	2-30-1982	