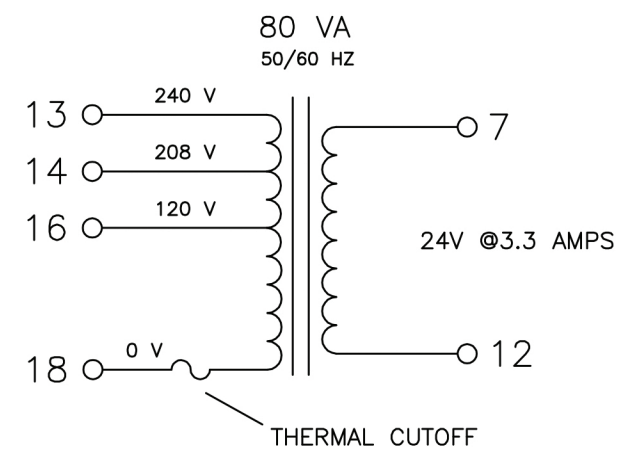
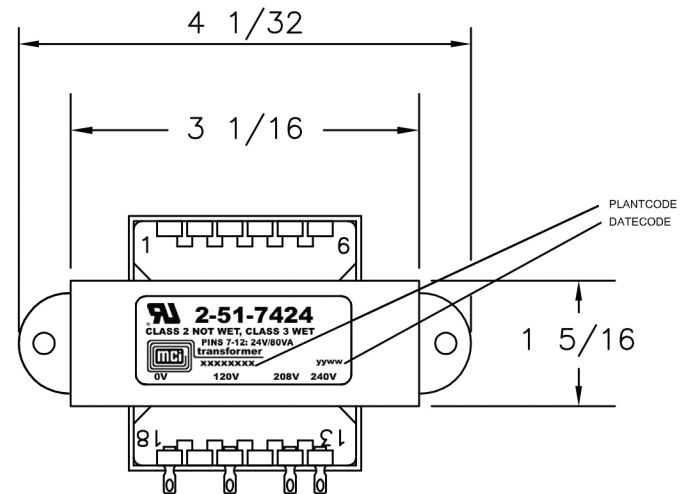
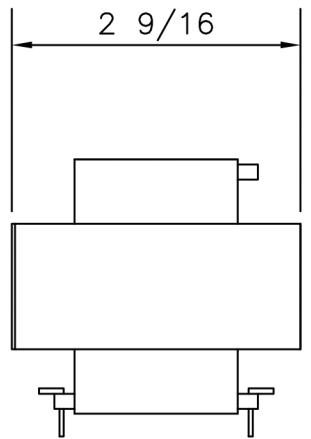
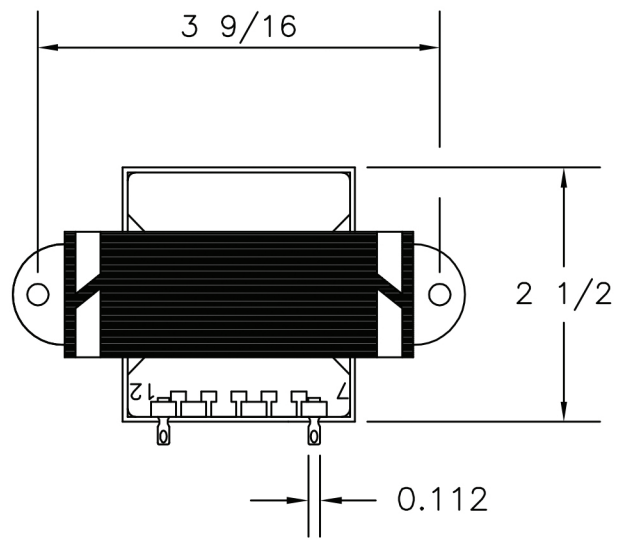


REVISIONS

LETTER	DESCRIPTION	DWG BY	DATE
A	UPDATED LABEL	JOW3	8-4-17



NOTES:

- 1) UL INSULATION SYSTEM E86543-CLASS F 155°C.
- 2) UL CLASS 2 RECOGNIZED COMPONENT CERTIFIED TO UL 5085-1, UL 5085-3: FILE # E120827
- 3) NON-INHERENTLY LIMITED.
- 4) 2500 VRMS HIPOT BETWEEN PRIMARY AND (SECONDARY + CORE).
500 VOLTS BETWEEN SECONDARY AND CORE.
- 5) WEIGHT: 2.75 LBS.
- 6) RoHS AND REACH COMPLIANT
- 7) ALL DIMENSIONS ARE IN INCHES.

MCI					<i>NORTH BABYLON N.Y.</i>
CUSTOMER					MCI
TITLE					CLASS 2 VDE QUICK CONNECT POWER TRANSFORMER
DRAWN BY	APPRVD BY	SCALE	DATE	DRAWING NUMBER	
SMS	JOW	NONE	3-14-17	2-51-7424	