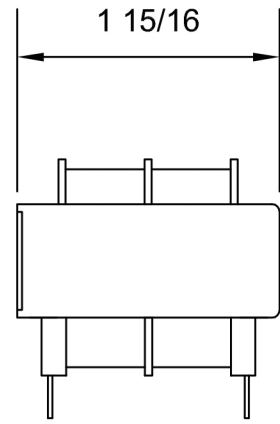
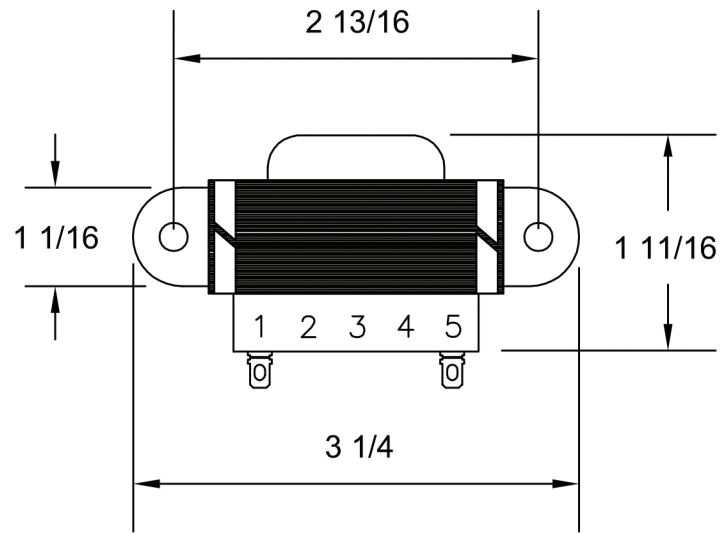
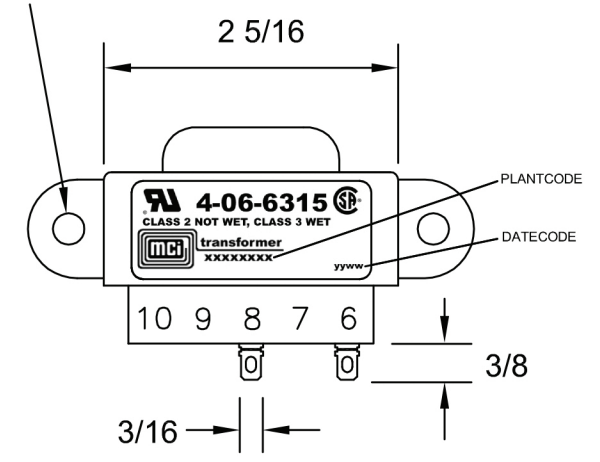


REVISIONS

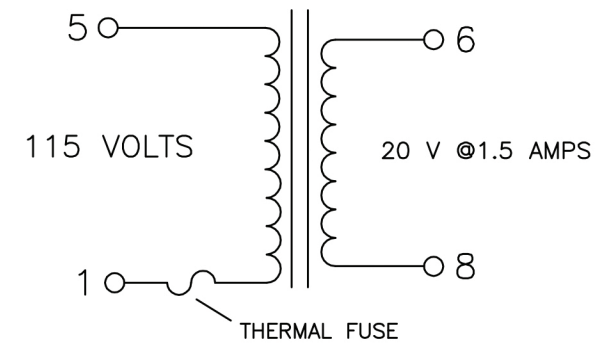
LETTER	DESCRIPTION	DWG BY	DATE
A	UPDATED LABEL	JOW3	8-3-17



0.187 DIA. TYP



30 VA
50/60 HZ



NOTES:

- 1) UL INSULATION SYSTEM E86543-CLASS F 155°C.
- 2) UL CLASS 2 RECOGNIZED COMPONENT CERTIFIED TO UL 5085-1, UL 5085-3: FILE # E120827
- 3) CSA CERTIFIED COMPONENT TO STANDARD C22.2 NO. 66-1988: FILE # LR80864
- 4) INHERENTLY LIMITED.
- 5) 2500 VRMS HIPOT BETWEEN PRIMARY AND (SECONDARY + CORE).
500 VOLTS BETWEEN SECONDARY AND CORE.
- 6) WEIGHT: 1.1 LBS.
- 7) RoHS AND REACH COMPLIANT
- 8) ALL DIMENSIONS ARE IN INCHES.

MCI					<i>NORTH BABYLON N.Y.</i>
CUSTOMER		MCI			
TITLE					
CLASS 2 QUICK CONNECT POWER TRANSFORMER					
DRAWN BY	APPRVD BY	SCALE	DATE	DRAWING NUMBER	
SMS	JOW	NONE	3-14-17	4-06-6315	