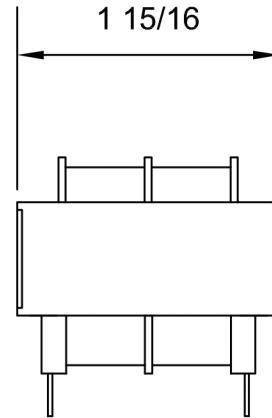
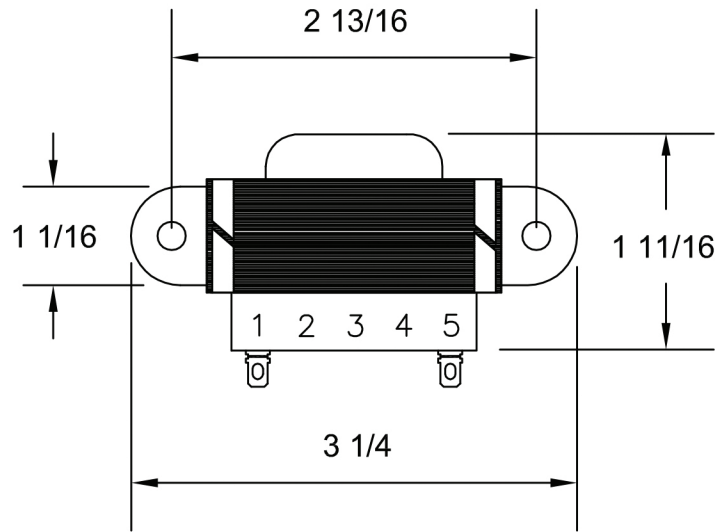
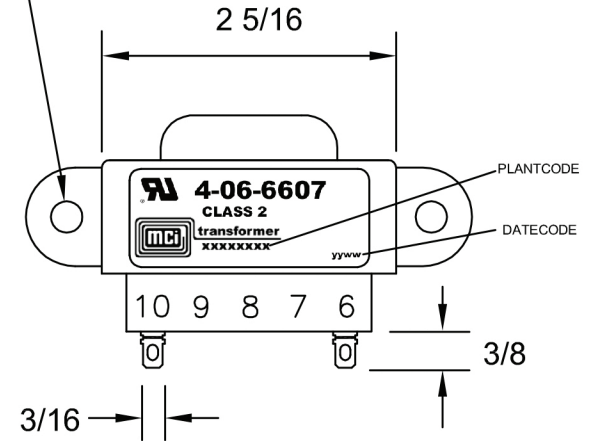


REVISIONS

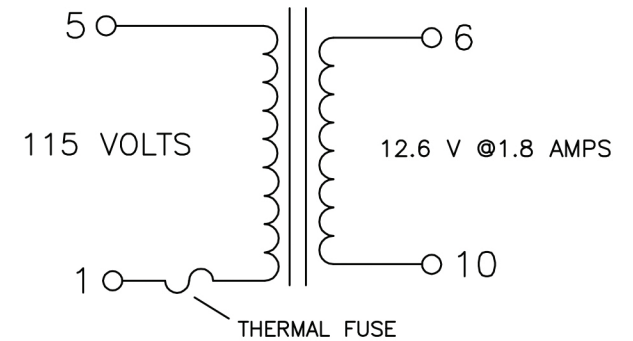
LETTER	DESCRIPTION	DWG BY	DATE
A	UPDATED DRAWING AND NOTES	SMS	3-14-17
B	UPDATED LABEL	JOW3	8-4-17



0.187 DIA. TYP



24 VA
50/60 HZ



NOTES:

- 1) UL INSULATION SYSTEM E86543-CLASS F 155°C.
- 2) UL CLASS 2 RECOGNIZED COMPONENT CERTIFIED TO UL 5085-1, UL 5085-3: FILE # E120827.
- 3) NON-INHERENTLY LIMITED TRANSFORMER
- 4) 2500 VRMS HIPOT BETWEEN PRIMARY AND (SECONDARY + CORE).
500 VOLTS BETWEEN SECONDARY AND CORE.
- 5) WEIGHT: 1.1 LBS.
- 6) ALL DIMENSIONS ARE IN INCHES.

MCI					<i>NORTH BABYLON N.Y.</i>
CUSTOMER		MCI			
TITLE					QUICK CONNECT POWER TRANSFORMER
DRAWN BY	APPRVD BY	SCALE	DATE	DRAWING NUMBER	
SMS	JOW	NONE	6-4-15	4-06-6607	