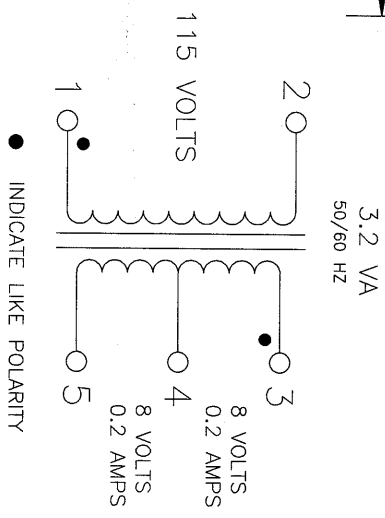
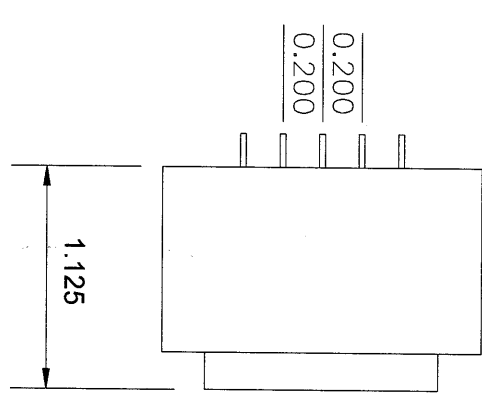
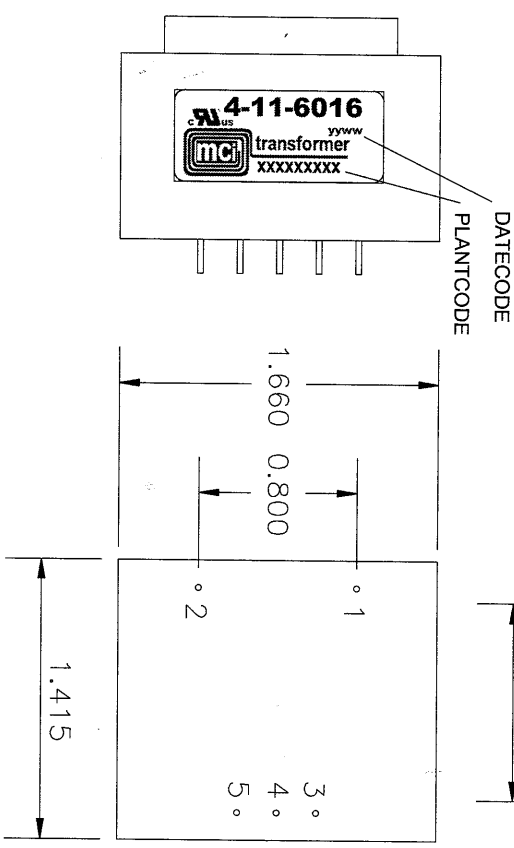
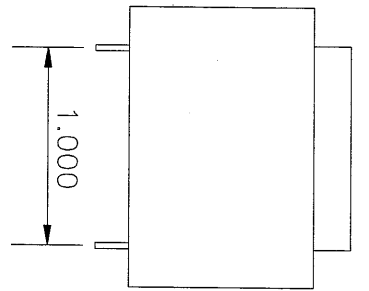


REVISIONS		
LETTER	DESCRIPTION	DATE



NOTES:

- 1) UL RECOGNIZED COMPONENT: FILE # E86403
- 2) 3750 VRMS HIPOT BETWEEN PRIMARY AND SECONDARY.
- 3) WEIGHT: 0.33 LBS.
- 4) RoHS AND REACH COMPLIANT
- 5) ALL DIMENSIONS ARE IN INCHES.

CUSTOMER		MCI		NORTH BABYLON N.Y.	
TITLE		HORIZONTAL PC TRANSFORMER			
DRAWN BY	APPROV BY	SCALE	DATE	DRAWING NUMBER	
JOW3	JOW	NONE	11-23-16	4-11-6016	